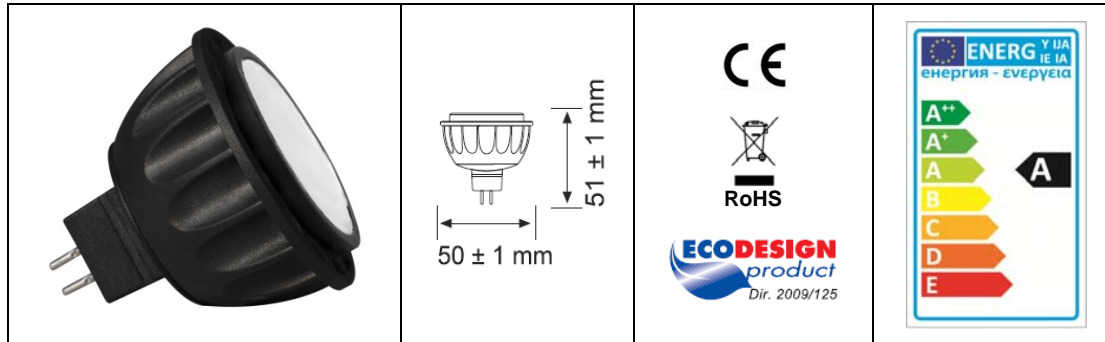



SINGLECAPPED LED LAMPS FOR EXTRA LOW VOLTAGE LED MR16 7W **ECO BRIGHT NEROLUME**

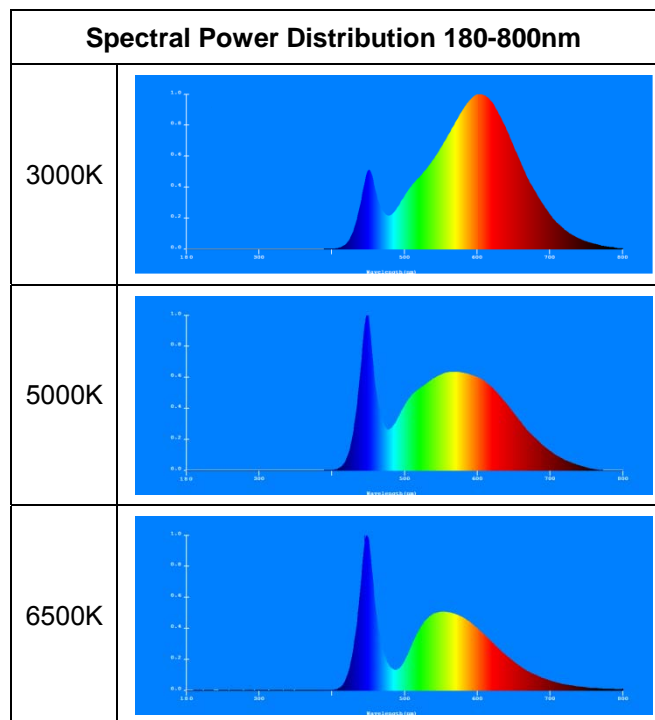
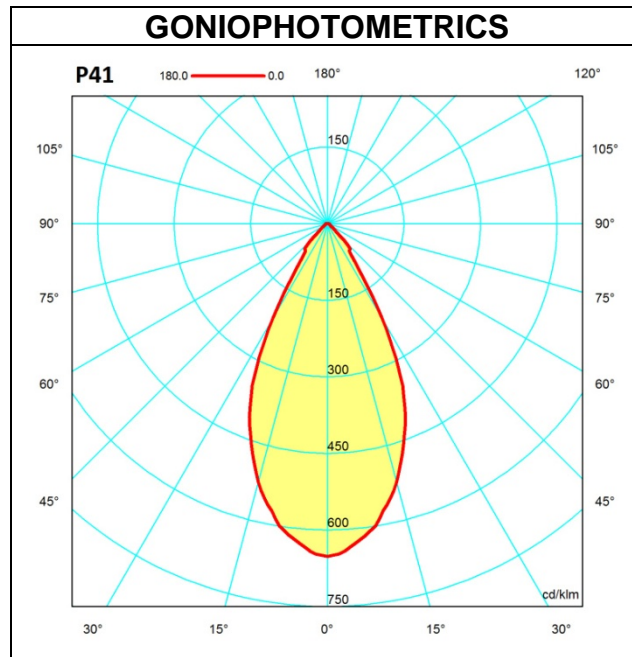


Item code	P _{nom} (W)	T _c (K)	Cap	I (mA) (*)	Total Flux (lm)	Useful Flux (lm)	Equivalent hal MR16 power (W)	Energy Class	Ec (kWh/1000h)	Axis cd	Beam Opening	Weight (g)
FLL854FA9	7	3000	GU5.3	550	570	400	38	A	8	370	60°	46
FLL854FD9	7	5000	GU5.3	550	580	410	39	A	8	400	60°	46
FLL854FE9	7	6500	GU5.3	550	600	420	40	A	8	440	60°	46

LED lamp classified EXEMPT (RISK GROUP 0) in application of the EN 62471: 2008 (CIE S009:2002) standards "Photobiological safety of lamps and lamp systems" and in application of the European Directive 2006/25 on the minimum health and safety requirements regarding the exposure of workers to risks arising from physical agents (artificial optical radiation).

Operating electric conditions	12V 50/60Hz (*) 12VDC
Not Adjustable	
R _a	> 80
Average lifetime L70, F50	30.000 hours
Lamp Survival Factor @6000h	0.90
Lamp Lumen Maintenance Factor @6000h	0.80
Lamp Lumen Maintenance Factor @30.000h	70% (L70)
Starting time	< 0.4s
Number of Switching cycles before failure	> 15.000
Warm-up time (to 95% of the steady-state luminous output)	< 2.0s
Failure rate @1000h	< 5.0%
Colour consistency	MacAdam ellipses step ≤ 6
Mercury and dangerous substances	Absent
UV and IR radiation	Absent

(*) This LED lamp can directly substitute a halogen lamp for ELV if used with any kind of electromagnetic transformer and the optimal reliability is achieved if the user respects the suggested minimum load power of the ELV transformer. The lamp is also suitable for LED electronic drivers only (adequate constant current or constant voltage AC/DC converters for LEDs); its correct functioning is not guaranteed for electronic transformers for filament lamps.



Reference Standards: EN 62838; EN62493; EN62471; EN55015; EN61000-3-2; EN61000-3-3; EN61547

European Directives: 2014/30; 92/31; 93/68; 2009/125 (Reg.no.1194/2012; no.1428/2015); 2012/27 (Reg.no.874/2012; no.1369/2017); 2011/65; 2012/19



Correct disposal of this product

(Waste Electrical & Electronic Equipment) Applicable in countries with separate collection systems

This graphic symbol placed on the product and on the package indicates that the product should not be disposed with other household waste.

To prevent possible harm to the environment or human health from uncontrolled waste disposal, please separate these items from other types of waste and responsibly recycle them to promote the sustainable reuse of material resources.

Household users should contact either the retailer where they purchased the product, or their local government office, for details on where and how they can take these items for environmentally safe recycling.

Business users should contact their supplier and check the terms and conditions of the purchase contract; this product should not be mixed with other commercial wastes for disposal.