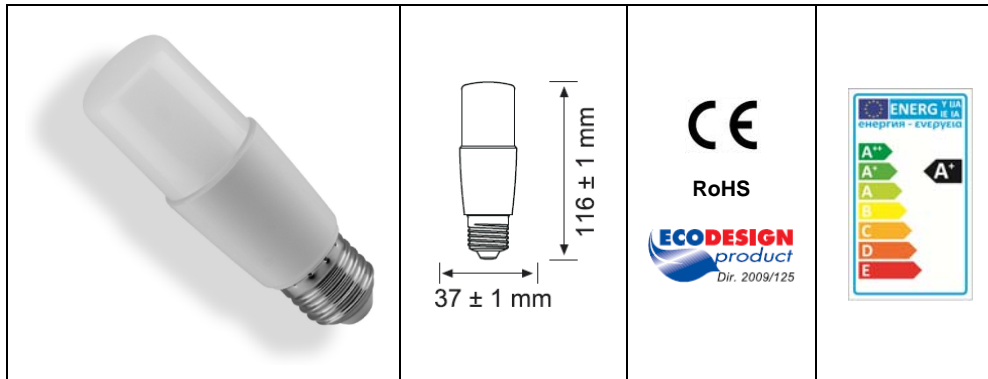


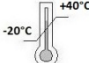


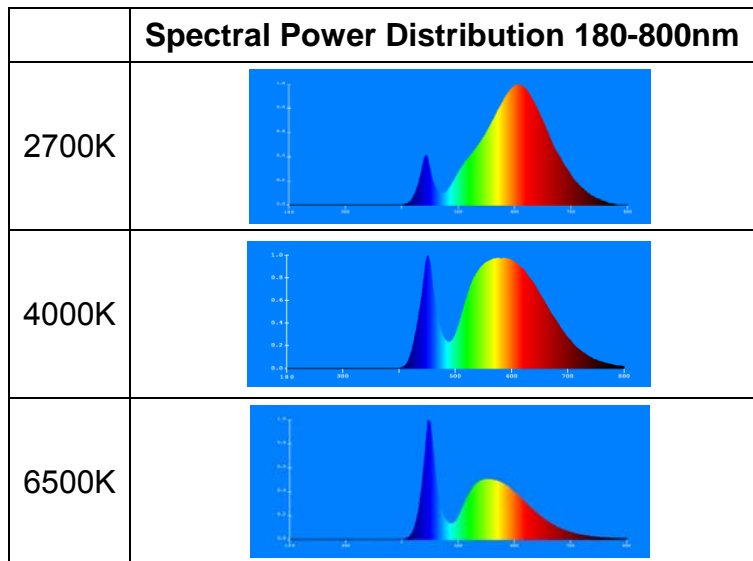
## SELFBALLAST LED LAMPS FOR MAINS VOLTAGE TUBULAR T37 **DECORLED**




Code	P <sub>nom</sub> (W)	T <sub>c</sub> (K)	Cap	I (mA)	PF	Lum.Flux (lm)	lm/W	Equiv.inc power (W)	Energy Class	Ec (kWh/1000h)	R <sub>a</sub>
FLLY5040P	7	2700	E27	58	>0.5	620	88.5	49	A+	7	≥80
FLLY5042P	7	4000	E27	58	>0.5	710	101.4	55	A+	7	≥80
FLLY504EP	7	6500	E27	58	>0.5	730	104.2	56	A+	7	≥80

LED lamp classified RISK GROUP 1 in application of the EN 62471: 2008 (CIE S009:2002) standards "Photobiological safety of lamps and lamp systems" and in application of the European Directive 2006/25 on the minimum health and safety requirements regarding the exposure of workers to risks arising from physical agents (artificial optical radiation).

Operating electric conditions	220 - 240V 50/60Hz
Not adjustable	
Lamp not suitable for use under moisture	
Recommended Ambient Temperature	
Average lifetime L70, F50	15.000 hours
Lamp Survival Factor @6000h	0.90
Lamp Lumen Maintenance Factor @6000h	0.80
Lamp Lumen Maintenance Factor @15.000h	70% (L70)
Starting time	< 0.4s
Number of switching cycles before failure	> 10.000
Warm-up time (to 95% of the steady-state luminous output)	< 2.0s
Failure rate @1000h	< 5.0%
Colour consistency	MacAdam ellipses step ≤ 6
Mercury and dangerous substances	Absent
UV and IR radiation	Absent



Reference Standards: EN62560; EN62612; EN62493; EN62471; IEC/TR62471-2; EN55015; EN61000-3-2; EN61000-3-3; EN61547  
 European Directives: 2014/35; 2014/30; 92/31; 93/68; 2009/125 (Reg.no.1194/2012; no.244/09; no.1428/2015); 2012/27 (Reg.no.874/2012); 2011/65; 2012/19

	<p><b>Correct disposal of this product</b>                  (Waste Electrical &amp; Electronic Equipment)                  Applicable in countries with separate collection systems</p> <p>This graphic symbol placed on the product and on the package indicates that the product should not be disposed with other household waste. To prevent possible harm to the environment or human health from uncontrolled waste disposal, please separate these items from other types of waste and responsibly recycle them to promote the sustainable reuse of material resources.                  Household users should contact either the retailer where they purchased the product, or their local government office, for details on where and how they can take these items for environmentally safe recycling.                  Business users should contact their supplier and check the terms and conditions of the purchase contract; this product should not be mixed with other commercial wastes for disposal.</p>
---	--