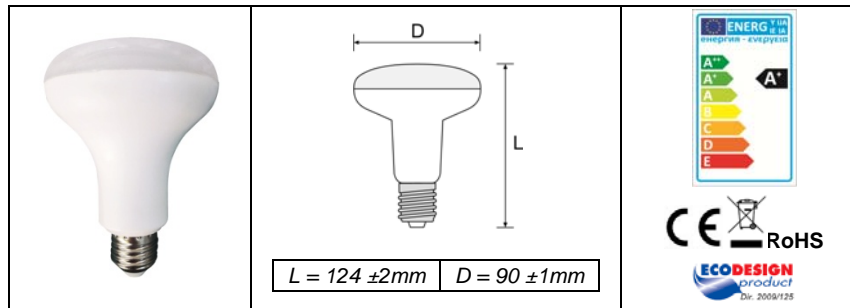


## SELFBALLAST LED LAMPS FOR MAINS VOLTAGE REFLECTOR R90 **DECORLED**

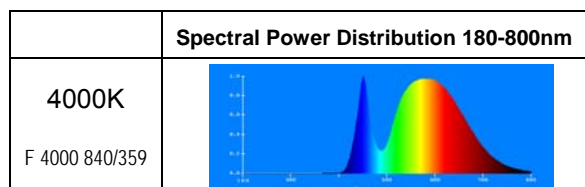


Item code	P <sub>nom</sub> (W)	I (mA)	PF	Luminous Flux (lm)	lm/W	Equiv.inc power (W)	Energy Class	Ec (kWh/1000h)	Cap	T <sub>c</sub> (K)	R <sub>a</sub>	Weight (g)
FLLM9042P	12	80	>0.5	1040	86.7	75	A+	12	E27	4000	>80	100

*LED lamp classified EXEMPT (RISK GROUP 0) in application of the EN 62471: 2008 (CIE S009:2002) standards "Photobiological safety of lamps and lamp systems" and in application of the European Directive 2006/25 on the minimum health and safety requirements regarding the exposure of workers to risks arising from physical agents (artificial optical radiation).*

Operating electric conditions	220 – 240V 50/60Hz
Not adjustable	
Lamp not suitable for use under moisture	
Average lifetime L70, F50 (*)	25.000 hours
Lamp Survival Factor @6000h	0.90
Lamp Lumen Maintenance Factor @6000h	0.80
Lamp Lumen Maintenance Factor @25.000h	70% (L70)
Starting time	< 0.4s
Number of Switching cycles before failure	> 15.000
Warm-up time (to 95% of the steady-state lumen output)	< 2.0s
Failure rate @1000h	< 5.0%
Colour consistency	MacAdam ellipses step ≤ 6
Mercury and dangerous substances	Absent
UV and IR radiation	Absent

*(\*) After 25.000 hours, the luminous flux is at least the 70% of the initial flux and the 50% of the lamps are still functioning.*



Reference Standards: EN62560; EN62612; EN62493; EN62471; IEC/TR62471-2; EN55015; EN61000-3-2; EN61000-3-3; EN61547  
European Directives: 2014/35; 2014/30; 92/31; 93/68; 2009/125 (Reg.no.1194/2012; no.244/09; no.1428/2015); 2012/27 (Reg.Del. no.874/2012 and Reg. no.1369/2017); 2011/65; 2012/19

	<p><b>Correct disposal of this product</b> (Waste Electrical &amp; Electronic Equipment) Applicable in countries with separate collection systems</p> <p>This graphic symbol placed on the product and on the package indicates that the product should not be disposed with other household waste. To prevent possible harm to the environment or human health from uncontrolled waste disposal, please separate these items from other types of waste and responsibly recycle them to promote the sustainable reuse of material resources. Household users should contact either the retailer where they purchased the product, or their local government office, for details on where and how they can take these items for environmentally safe recycling. Business users should contact their supplier and check the terms and conditions of the purchase contract: this product should not be mixed with other commercial wastes for disposal.</p>
--	--