
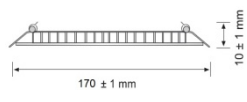
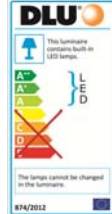




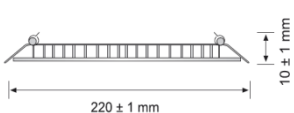

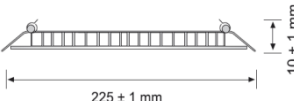








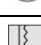


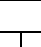


LED FIXTURES FIXED RECESSED EXTRAFLAT DOWNLIGHTER






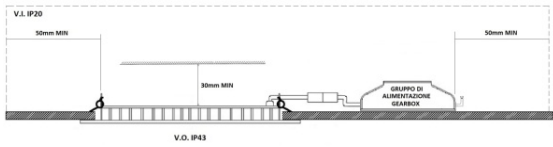
15W Round driver included			   
18W Round driver included			
18W Square driver included			

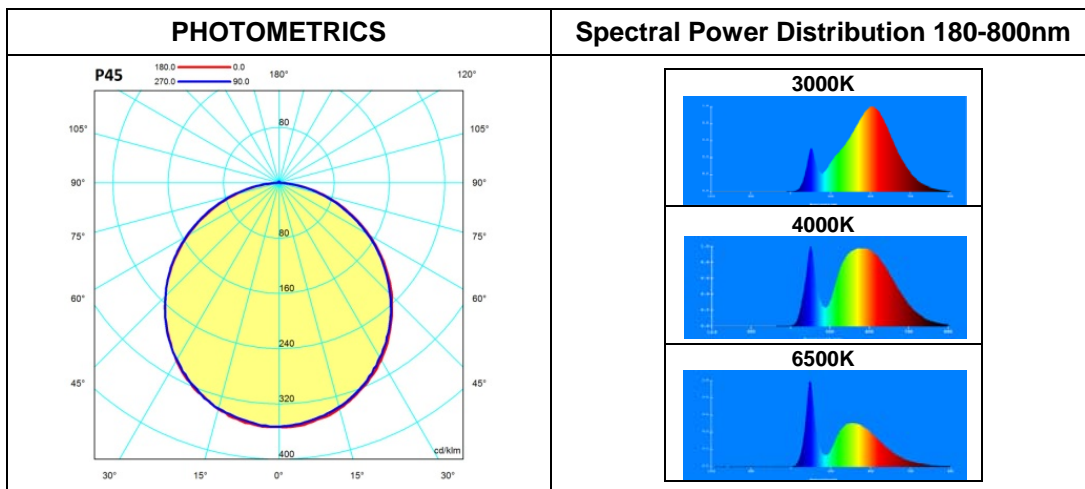
Fixed recessed Extraflat downlighter for false ceiling, integrating an array of high power LEDs geared by an external LED driver. Fixture body in diecast Aluminium with white/silver painting; frontal screen in polycarbonate with frosted finish; two sustaining springs in stainless steel. ROUND or SQUARE models (hole in the false-ceiling: round for the round model, square for the square).
 Accessories: Compatible permanent emergency groups (to be separately ordered)

CODE	Fixation Hole	V _{in}	P _{nom} (W)	PF	Luminous Flux (lm)	lm/W	T _c (K)	R _a	Beam opening	Finish	Integrated LED Driver
FLLD87VAC-F	 155mm	220-240V 50/60Hz	15	> 0.50	1200	80	3000	> 80	110°	White	45-65VDC c.c.250mA tc: 75°C ta: 50°C
FLLD87V2C-F	 155mm	220-240V 50/60Hz	15	> 0.50	1200	80	4000	> 80	110°	White	
FLLD87VEC-F	 155mm	220-240V 50/60Hz	15	> 0.50	1200	80	6500	> 80	110°	White	
FLLDJ7VAC-F	 205mm	220-240V 50/60Hz	18	> 0.50	1400	77.8	3000	> 80	110°	White	
FLLDJ7VAC-G	 205mm	220-240V 50/60Hz	18	> 0.50	1400	77.8	3000	> 80	110°	SILVER	
FLLDJ7V2C-F	 205mm	220-240V 50/60Hz	18	> 0.50	1400	77.8	4000	> 80	110°	White	
FLLDJ7V2C-G	 205mm	220-240V 50/60Hz	18	> 0.50	1400	77.8	4000	> 80	110°	SILVER	
FLLDJ7VEC-F	 205mm	220-240V 50/60Hz	18	> 0.50	1400	77.8	6500	> 80	110°	White	
FLLDJ7VEC-G	 205mm	220-240V 50/60Hz	18	> 0.50	1400	77.8	6500	> 80	110°	SILVER	
FLLDJ7VAC-Q	 205mm	220-240V 50/60Hz	18	> 0.50	1400	77.8	3000	> 80	110°	White	
FLLDJ7V2C-Q	 205mm	220-240V 50/60Hz	18	> 0.50	1400	77.8	4000	> 80	110°	White	
FLLDJ7VEC-Q	 205mm	220-240V 50/60Hz	18	> 0.50	1400	77.8	6500	> 80	110°	White	

Accessories (to be separately ordered)	For Permanent emergency autonomy 1h	Add the KIT (Emergency unit + battery) model “emerLED 12-50V 3W 1h” (ref 9953061) by ELT
	For Permanent emergency autonomy 3h	Add the KIT (Emergency unit + battery) model “emerLED 12-50V 3W 3h” (ref 9953062) by ELT

 website: <http://www.elt.es/home/i-inicio.html>

Operating electric conditions	220-240V 50/60Hz
Insulating class	
Not Adjustable	
Useful lifetime	30.000h L70 (Ta=25°C)
For indoor use only	
Recommended ambient temperature	
Not suitable for covering with thermally insulated material	
Protection degree: V.I. IP20; V.O. IP43	
Weight (driver included)	15W: 0.2kg 18W: 0.3kg
Lamp Survival Factor @6000h	0.90
Lamp Lumen Maintenance Factor @6000h	0.80
Lamp Lumen Maintenance Factor @30.000h	70% (L70)
Starting time	< 0.4s
Number of Switching cycles before failure	> 15.000
Warm-up time (to 95% of the steady-state luminous output)	< 2.0s
Failure rate @1000h	< 5.0%
Colour consistency	MacAdam ellipses step ≤ 6
Mercury and dangerous substances	Absent
UV and IR radiation	Absent
<p><i>LED lamp classified RISK GROUP 1 in application of the EN 62471: 2008 (CIE S009:2002) standards "Photobiological safety of lamps and lamp systems" and in application of the European Directive 2006/25 on the minimum health and safety requirements regarding the exposure of workers to risks arising from physical agents (artificial optical radiation).</i></p>	



Model	LUMINANCE IN FRONT OF THE EMITTING SURFACE	UGR Table																																																																																																																																																																																																																																																																
15W		<table border="1" style="width: 100%; border-collapse: collapse;"> <thead> <tr> <th>ceiling/cavity</th><th>0.7</th><th>0.7</th><th>0.5</th><th>0.3</th><th>0.3</th><th>0.7</th><th>0.7</th><th>0.5</th><th>0.5</th><th>0.3</th> </tr> <tr> <th>walls</th><th>0.5</th><th>0.3</th><th>0.5</th><th>0.3</th><th>0.3</th><th>0.5</th><th>0.3</th><th>0.5</th><th>0.3</th><th>0.3</th> </tr> <tr> <th>working plane</th><th>0.2</th><th>0.2</th><th>0.2</th><th>0.2</th><th>0.2</th><th>0.2</th><th>0.2</th><th>0.2</th><th>0.2</th><th>0.2</th> </tr> </thead> <tbody> <tr> <td>Room dimensions</td><td colspan="5" style="text-align: center;">Viewed crosswise</td><td colspan="5" style="text-align: center;">Viewed endwise</td> </tr> <tr> <td>x = 2m y = 2m</td><td>24.3</td><td>24.1</td><td>24.9</td><td>24.3</td><td>24.5</td><td>24.6</td><td>24.1</td><td>24.9</td><td>24.3</td><td>24.3</td> </tr> <tr> <td>3m</td><td>24.0</td><td>27.4</td><td>24.3</td><td>27.6</td><td>27.9</td><td>24.1</td><td>27.5</td><td>24.4</td><td>27.8</td><td>28.0</td> </tr> <tr> <td>4m</td><td>26.5</td><td>27.9</td><td>26.9</td><td>28.1</td><td>28.4</td><td>26.7</td><td>28.0</td><td>27.0</td><td>28.3</td><td>28.5</td> </tr> <tr> <td>6m</td><td>26.8</td><td>28.1</td><td>27.2</td><td>28.4</td><td>28.7</td><td>27.1</td><td>28.3</td><td>27.4</td><td>28.6</td><td>28.9</td> </tr> <tr> <td>8m</td><td>26.9</td><td>28.1</td><td>27.2</td><td>28.4</td><td>28.7</td><td>27.1</td><td>28.3</td><td>27.5</td><td>28.6</td><td>28.9</td> </tr> <tr> <td>12m</td><td>26.9</td><td>28.1</td><td>27.2</td><td>28.4</td><td>28.7</td><td>27.1</td><td>28.3</td><td>27.4</td><td>28.6</td><td>28.9</td> </tr> <tr> <td>4m</td><td>28</td><td>28.2</td><td>28.5</td><td>28.9</td><td>28.8</td><td>27.1</td><td>28.3</td><td>28.4</td><td>28.9</td><td>27.1</td> </tr> <tr> <td>3m</td><td>26.9</td><td>28.6</td><td>27.2</td><td>28.3</td><td>28.4</td><td>27.0</td><td>28.2</td><td>27.4</td><td>28.5</td><td>28.4</td> </tr> <tr> <td>4m</td><td>27.5</td><td>28.6</td><td>27.8</td><td>28.9</td><td>29.2</td><td>27.8</td><td>28.8</td><td>28.1</td><td>29.1</td><td>29.5</td> </tr> <tr> <td>6m</td><td>27.9</td><td>28.9</td><td>28.3</td><td>29.2</td><td>29.6</td><td>28.3</td><td>29.2</td><td>28.7</td><td>29.6</td><td>29.9</td> </tr> <tr> <td>8m</td><td>28.0</td><td>28.9</td><td>28.4</td><td>29.3</td><td>29.7</td><td>28.4</td><td>29.2</td><td>28.8</td><td>29.6</td><td>30.0</td> </tr> <tr> <td>12m</td><td>28.1</td><td>28.9</td><td>29.5</td><td>29.3</td><td>29.7</td><td>28.4</td><td>29.2</td><td>28.8</td><td>29.6</td><td>30.0</td> </tr> <tr> <td>6m</td><td>27.8</td><td>28.7</td><td>28.2</td><td>29.1</td><td>29.5</td><td>28.1</td><td>28.9</td><td>28.5</td><td>29.3</td><td>29.7</td> </tr> <tr> <td>4m</td><td>28.4</td><td>29.1</td><td>28.8</td><td>29.5</td><td>30.0</td><td>28.8</td><td>29.5</td><td>29.2</td><td>29.9</td><td>30.3</td> </tr> <tr> <td>3m</td><td>28.6</td><td>29.2</td><td>29.0</td><td>29.7</td><td>30.1</td><td>29.0</td><td>29.6</td><td>29.4</td><td>30.1</td><td>30.5</td> </tr> <tr> <td>12m</td><td>28.7</td><td>28.2</td><td>29.2</td><td>29.7</td><td>30.2</td><td>29.1</td><td>29.4</td><td>29.6</td><td>30.1</td><td>30.4</td> </tr> <tr> <td>12m</td><td>4m</td><td>27.9</td><td>28.7</td><td>28.3</td><td>29.1</td><td>29.5</td><td>28.1</td><td>28.9</td><td>28.5</td><td>29.3</td><td>29.7</td> </tr> <tr> <td>6m</td><td>28.5</td><td>29.1</td><td>28.9</td><td>29.6</td><td>30.0</td><td>28.8</td><td>29.5</td><td>29.3</td><td>29.9</td><td>30.3</td> </tr> <tr> <td>8m</td><td>28.7</td><td>28.3</td><td>29.2</td><td>29.7</td><td>30.2</td><td>29.1</td><td>29.7</td><td>29.6</td><td>30.1</td><td>30.4</td> </tr> </tbody> </table> <p style="font-size: x-small;">Variations with the observer position at spacings: s = 1.0m + 0.1 / - 0.2 + 0.1 / - 0.2 1.5m + 0.2 / - 0.3 + 0.2 / - 0.4 2.0m + 0.2 / - 0.4 + 0.2 / - 0.4</p> <p style="font-size: x-small;">CIE Pub.117 Corrected 1157 in Total Lamp Luminous Flux. (log(F/F0) = 0.5)</p>	ceiling/cavity	0.7	0.7	0.5	0.3	0.3	0.7	0.7	0.5	0.5	0.3	walls	0.5	0.3	0.5	0.3	0.3	0.5	0.3	0.5	0.3	0.3	working plane	0.2	0.2	0.2	0.2	0.2	0.2	0.2	0.2	0.2	0.2	Room dimensions	Viewed crosswise					Viewed endwise					x = 2m y = 2m	24.3	24.1	24.9	24.3	24.5	24.6	24.1	24.9	24.3	24.3	3m	24.0	27.4	24.3	27.6	27.9	24.1	27.5	24.4	27.8	28.0	4m	26.5	27.9	26.9	28.1	28.4	26.7	28.0	27.0	28.3	28.5	6m	26.8	28.1	27.2	28.4	28.7	27.1	28.3	27.4	28.6	28.9	8m	26.9	28.1	27.2	28.4	28.7	27.1	28.3	27.5	28.6	28.9	12m	26.9	28.1	27.2	28.4	28.7	27.1	28.3	27.4	28.6	28.9	4m	28	28.2	28.5	28.9	28.8	27.1	28.3	28.4	28.9	27.1	3m	26.9	28.6	27.2	28.3	28.4	27.0	28.2	27.4	28.5	28.4	4m	27.5	28.6	27.8	28.9	29.2	27.8	28.8	28.1	29.1	29.5	6m	27.9	28.9	28.3	29.2	29.6	28.3	29.2	28.7	29.6	29.9	8m	28.0	28.9	28.4	29.3	29.7	28.4	29.2	28.8	29.6	30.0	12m	28.1	28.9	29.5	29.3	29.7	28.4	29.2	28.8	29.6	30.0	6m	27.8	28.7	28.2	29.1	29.5	28.1	28.9	28.5	29.3	29.7	4m	28.4	29.1	28.8	29.5	30.0	28.8	29.5	29.2	29.9	30.3	3m	28.6	29.2	29.0	29.7	30.1	29.0	29.6	29.4	30.1	30.5	12m	28.7	28.2	29.2	29.7	30.2	29.1	29.4	29.6	30.1	30.4	12m	4m	27.9	28.7	28.3	29.1	29.5	28.1	28.9	28.5	29.3	29.7	6m	28.5	29.1	28.9	29.6	30.0	28.8	29.5	29.3	29.9	30.3	8m	28.7	28.3	29.2	29.7	30.2	29.1	29.7	29.6	30.1	30.4		
ceiling/cavity	0.7	0.7	0.5	0.3	0.3	0.7	0.7	0.5	0.5	0.3																																																																																																																																																																																																																																																								
walls	0.5	0.3	0.5	0.3	0.3	0.5	0.3	0.5	0.3	0.3																																																																																																																																																																																																																																																								
working plane	0.2	0.2	0.2	0.2	0.2	0.2	0.2	0.2	0.2	0.2																																																																																																																																																																																																																																																								
Room dimensions	Viewed crosswise					Viewed endwise																																																																																																																																																																																																																																																												
x = 2m y = 2m	24.3	24.1	24.9	24.3	24.5	24.6	24.1	24.9	24.3	24.3																																																																																																																																																																																																																																																								
3m	24.0	27.4	24.3	27.6	27.9	24.1	27.5	24.4	27.8	28.0																																																																																																																																																																																																																																																								
4m	26.5	27.9	26.9	28.1	28.4	26.7	28.0	27.0	28.3	28.5																																																																																																																																																																																																																																																								
6m	26.8	28.1	27.2	28.4	28.7	27.1	28.3	27.4	28.6	28.9																																																																																																																																																																																																																																																								
8m	26.9	28.1	27.2	28.4	28.7	27.1	28.3	27.5	28.6	28.9																																																																																																																																																																																																																																																								
12m	26.9	28.1	27.2	28.4	28.7	27.1	28.3	27.4	28.6	28.9																																																																																																																																																																																																																																																								
4m	28	28.2	28.5	28.9	28.8	27.1	28.3	28.4	28.9	27.1																																																																																																																																																																																																																																																								
3m	26.9	28.6	27.2	28.3	28.4	27.0	28.2	27.4	28.5	28.4																																																																																																																																																																																																																																																								
4m	27.5	28.6	27.8	28.9	29.2	27.8	28.8	28.1	29.1	29.5																																																																																																																																																																																																																																																								
6m	27.9	28.9	28.3	29.2	29.6	28.3	29.2	28.7	29.6	29.9																																																																																																																																																																																																																																																								
8m	28.0	28.9	28.4	29.3	29.7	28.4	29.2	28.8	29.6	30.0																																																																																																																																																																																																																																																								
12m	28.1	28.9	29.5	29.3	29.7	28.4	29.2	28.8	29.6	30.0																																																																																																																																																																																																																																																								
6m	27.8	28.7	28.2	29.1	29.5	28.1	28.9	28.5	29.3	29.7																																																																																																																																																																																																																																																								
4m	28.4	29.1	28.8	29.5	30.0	28.8	29.5	29.2	29.9	30.3																																																																																																																																																																																																																																																								
3m	28.6	29.2	29.0	29.7	30.1	29.0	29.6	29.4	30.1	30.5																																																																																																																																																																																																																																																								
12m	28.7	28.2	29.2	29.7	30.2	29.1	29.4	29.6	30.1	30.4																																																																																																																																																																																																																																																								
12m	4m	27.9	28.7	28.3	29.1	29.5	28.1	28.9	28.5	29.3	29.7																																																																																																																																																																																																																																																							
6m	28.5	29.1	28.9	29.6	30.0	28.8	29.5	29.3	29.9	30.3																																																																																																																																																																																																																																																								
8m	28.7	28.3	29.2	29.7	30.2	29.1	29.7	29.6	30.1	30.4																																																																																																																																																																																																																																																								
18W		<table border="1" style="width: 100%; border-collapse: collapse;"> <thead> <tr> <th>ceiling/cavity</th><th>0.7</th><th>0.7</th><th>0.5</th><th>0.3</th><th>0.3</th><th>0.7</th><th>0.7</th><th>0.5</th><th>0.5</th><th>0.3</th> </tr> <tr> <th>walls</th><th>0.4</th><th>0.3</th><th>0.5</th><th>0.3</th><th>0.3</th><th>0.5</th><th>0.3</th><th>0.5</th><th>0.3</th><th>0.3</th> </tr> <tr> <th>working plane</th><th>0.2</th><th>0.2</th><th>0.2</th><th>0.2</th><th>0.2</th><th>0.2</th><th>0.2</th><th>0.2</th><th>0.2</th><th>0.2</th> </tr> </thead> <tbody> <tr> <td>Room dimensions</td><td colspan="5" style="text-align: center;">Viewed crosswise</td><td colspan="5" style="text-align: center;">Viewed endwise</td> </tr> <tr> <td>x = 2m y = 2m</td><td>17.8</td><td>19.3</td><td>18.1</td><td>19.5</td><td>19.7</td><td>17.6</td><td>19.1</td><td>17.9</td><td>19.3</td><td>19.4</td> </tr> <tr> <td>3m</td><td>19.3</td><td>20.7</td><td>19.4</td><td>20.9</td><td>21.2</td><td>19.1</td><td>20.6</td><td>19.4</td><td>20.7</td><td>21.0</td> </tr> <tr> <td>4m</td><td>19.9</td><td>21.2</td><td>20.2</td><td>21.6</td><td>21.8</td><td>19.7</td><td>21.0</td><td>20.0</td><td>21.3</td><td>21.6</td> </tr> <tr> <td>6m</td><td>20.3</td><td>21.6</td><td>20.7</td><td>21.9</td><td>22.2</td><td>20.1</td><td>21.3</td><td>20.4</td><td>21.4</td><td>21.9</td> </tr> <tr> <td>8m</td><td>20.5</td><td>21.7</td><td>20.8</td><td>22.0</td><td>22.3</td><td>20.2</td><td>21.4</td><td>20.6</td><td>21.7</td><td>22.0</td> </tr> <tr> <td>12m</td><td>20.6</td><td>21.7</td><td>20.9</td><td>22.0</td><td>22.4</td><td>20.3</td><td>21.4</td><td>20.6</td><td>21.7</td><td>22.1</td> </tr> <tr> <td>4m</td><td>2m</td><td>18.3</td><td>19.7</td><td>18.7</td><td>19.9</td><td>20.2</td><td>18.2</td><td>19.6</td><td>18.5</td><td>19.8</td><td>20.1</td> </tr> <tr> <td>3m</td><td>20.0</td><td>21.2</td><td>20.4</td><td>21.5</td><td>21.8</td><td>19.9</td><td>21.0</td><td>20.2</td><td>21.3</td><td>21.7</td> </tr> <tr> <td>4m</td><td>20.8</td><td>21.8</td><td>21.2</td><td>22.2</td><td>22.6</td><td>20.4</td><td>21.6</td><td>21.0</td><td>22.0</td><td>22.3</td> </tr> <tr> <td>6m</td><td>21.3</td><td>22.3</td><td>21.8</td><td>22.7</td><td>23.0</td><td>21.1</td><td>22.1</td><td>21.6</td><td>22.4</td><td>22.8</td> </tr> <tr> <td>8m</td><td>21.6</td><td>22.4</td><td>22.0</td><td>22.8</td><td>23.2</td><td>21.3</td><td>22.2</td><td>21.7</td><td>22.6</td><td>22.9</td> </tr> <tr> <td>12m</td><td>21.7</td><td>22.6</td><td>22.1</td><td>22.9</td><td>23.3</td><td>21.4</td><td>22.2</td><td>21.6</td><td>22.4</td><td>22.8</td> </tr> <tr> <td>6m</td><td>4m</td><td>21.0</td><td>21.9</td><td>21.4</td><td>22.3</td><td>22.7</td><td>20.8</td><td>21.7</td><td>21.3</td><td>22.1</td><td>22.6</td> </tr> <tr> <td>4m</td><td>21.7</td><td>22.6</td><td>22.2</td><td>22.9</td><td>23.3</td><td>21.6</td><td>22.3</td><td>22.0</td><td>22.7</td><td>23.1</td> </tr> <tr> <td>6m</td><td>22.0</td><td>22.7</td><td>22.6</td><td>23.1</td><td>23.6</td><td>21.8</td><td>22.4</td><td>22.2</td><td>22.9</td><td>23.3</td> </tr> <tr> <td>12m</td><td>22.2</td><td>22.8</td><td>22.9</td><td>23.2</td><td>23.7</td><td>21.9</td><td>22.6</td><td>22.4</td><td>23.0</td><td>23.6</td> </tr> <tr> <td>12m</td><td>4m</td><td>21.0</td><td>21.8</td><td>21.6</td><td>22.2</td><td>22.7</td><td>20.9</td><td>21.7</td><td>21.3</td><td>22.1</td><td>22.6</td> </tr> <tr> <td>6m</td><td>21.8</td><td>22.4</td><td>22.2</td><td>22.9</td><td>23.3</td><td>21.4</td><td>22.2</td><td>22.0</td><td>22.7</td><td>23.1</td> </tr> <tr> <td>8m</td><td>22.1</td><td>22.4</td><td>22.4</td><td>23.1</td><td>23.6</td><td>21.9</td><td>22.4</td><td>22.4</td><td>22.9</td><td>23.4</td> </tr> </tbody> </table> <p style="font-size: x-small;">Variations with the observer position at spacings: s = 1.0m + 0.2 / - 0.2 + 0.2 / - 0.2 1.5m + 0.2 / - 0.3 + 0.2 / - 0.3 2.0m + 0.2 / - 0.2 + 0.2 / - 0.3</p> <p style="font-size: x-small;">CIE Pub.117 Corrected 1311 in Total Lamp Luminous Flux. (log(F/F0) = 0.8)</p>	ceiling/cavity	0.7	0.7	0.5	0.3	0.3	0.7	0.7	0.5	0.5	0.3	walls	0.4	0.3	0.5	0.3	0.3	0.5	0.3	0.5	0.3	0.3	working plane	0.2	0.2	0.2	0.2	0.2	0.2	0.2	0.2	0.2	0.2	Room dimensions	Viewed crosswise					Viewed endwise					x = 2m y = 2m	17.8	19.3	18.1	19.5	19.7	17.6	19.1	17.9	19.3	19.4	3m	19.3	20.7	19.4	20.9	21.2	19.1	20.6	19.4	20.7	21.0	4m	19.9	21.2	20.2	21.6	21.8	19.7	21.0	20.0	21.3	21.6	6m	20.3	21.6	20.7	21.9	22.2	20.1	21.3	20.4	21.4	21.9	8m	20.5	21.7	20.8	22.0	22.3	20.2	21.4	20.6	21.7	22.0	12m	20.6	21.7	20.9	22.0	22.4	20.3	21.4	20.6	21.7	22.1	4m	2m	18.3	19.7	18.7	19.9	20.2	18.2	19.6	18.5	19.8	20.1	3m	20.0	21.2	20.4	21.5	21.8	19.9	21.0	20.2	21.3	21.7	4m	20.8	21.8	21.2	22.2	22.6	20.4	21.6	21.0	22.0	22.3	6m	21.3	22.3	21.8	22.7	23.0	21.1	22.1	21.6	22.4	22.8	8m	21.6	22.4	22.0	22.8	23.2	21.3	22.2	21.7	22.6	22.9	12m	21.7	22.6	22.1	22.9	23.3	21.4	22.2	21.6	22.4	22.8	6m	4m	21.0	21.9	21.4	22.3	22.7	20.8	21.7	21.3	22.1	22.6	4m	21.7	22.6	22.2	22.9	23.3	21.6	22.3	22.0	22.7	23.1	6m	22.0	22.7	22.6	23.1	23.6	21.8	22.4	22.2	22.9	23.3	12m	22.2	22.8	22.9	23.2	23.7	21.9	22.6	22.4	23.0	23.6	12m	4m	21.0	21.8	21.6	22.2	22.7	20.9	21.7	21.3	22.1	22.6	6m	21.8	22.4	22.2	22.9	23.3	21.4	22.2	22.0	22.7	23.1	8m	22.1	22.4	22.4	23.1	23.6	21.9	22.4	22.4	22.9	23.4
ceiling/cavity	0.7	0.7	0.5	0.3	0.3	0.7	0.7	0.5	0.5	0.3																																																																																																																																																																																																																																																								
walls	0.4	0.3	0.5	0.3	0.3	0.5	0.3	0.5	0.3	0.3																																																																																																																																																																																																																																																								
working plane	0.2	0.2	0.2	0.2	0.2	0.2	0.2	0.2	0.2	0.2																																																																																																																																																																																																																																																								
Room dimensions	Viewed crosswise					Viewed endwise																																																																																																																																																																																																																																																												
x = 2m y = 2m	17.8	19.3	18.1	19.5	19.7	17.6	19.1	17.9	19.3	19.4																																																																																																																																																																																																																																																								
3m	19.3	20.7	19.4	20.9	21.2	19.1	20.6	19.4	20.7	21.0																																																																																																																																																																																																																																																								
4m	19.9	21.2	20.2	21.6	21.8	19.7	21.0	20.0	21.3	21.6																																																																																																																																																																																																																																																								
6m	20.3	21.6	20.7	21.9	22.2	20.1	21.3	20.4	21.4	21.9																																																																																																																																																																																																																																																								
8m	20.5	21.7	20.8	22.0	22.3	20.2	21.4	20.6	21.7	22.0																																																																																																																																																																																																																																																								
12m	20.6	21.7	20.9	22.0	22.4	20.3	21.4	20.6	21.7	22.1																																																																																																																																																																																																																																																								
4m	2m	18.3	19.7	18.7	19.9	20.2	18.2	19.6	18.5	19.8	20.1																																																																																																																																																																																																																																																							
3m	20.0	21.2	20.4	21.5	21.8	19.9	21.0	20.2	21.3	21.7																																																																																																																																																																																																																																																								
4m	20.8	21.8	21.2	22.2	22.6	20.4	21.6	21.0	22.0	22.3																																																																																																																																																																																																																																																								
6m	21.3	22.3	21.8	22.7	23.0	21.1	22.1	21.6	22.4	22.8																																																																																																																																																																																																																																																								
8m	21.6	22.4	22.0	22.8	23.2	21.3	22.2	21.7	22.6	22.9																																																																																																																																																																																																																																																								
12m	21.7	22.6	22.1	22.9	23.3	21.4	22.2	21.6	22.4	22.8																																																																																																																																																																																																																																																								
6m	4m	21.0	21.9	21.4	22.3	22.7	20.8	21.7	21.3	22.1	22.6																																																																																																																																																																																																																																																							
4m	21.7	22.6	22.2	22.9	23.3	21.6	22.3	22.0	22.7	23.1																																																																																																																																																																																																																																																								
6m	22.0	22.7	22.6	23.1	23.6	21.8	22.4	22.2	22.9	23.3																																																																																																																																																																																																																																																								
12m	22.2	22.8	22.9	23.2	23.7	21.9	22.6	22.4	23.0	23.6																																																																																																																																																																																																																																																								
12m	4m	21.0	21.8	21.6	22.2	22.7	20.9	21.7	21.3	22.1	22.6																																																																																																																																																																																																																																																							
6m	21.8	22.4	22.2	22.9	23.3	21.4	22.2	22.0	22.7	23.1																																																																																																																																																																																																																																																								
8m	22.1	22.4	22.4	23.1	23.6	21.9	22.4	22.4	22.9	23.4																																																																																																																																																																																																																																																								

Reference Standards: EN60598-1; EN62031; CEI EN 61347-1; CEI EN 61347-2-13; IEC62471; EN55015; EN61000-3-2; EN61000-3-3; EN61547; EN62493
European Directives and Regs: 2014/35; 2014/30; 92/31; 93/68; 2009/125 (Reg.no.1194/2012); 2012/27 (Reg.Del. no.874/2012 and Reg. no.1369/2017); 2011/65; 2012/19

Correct disposal of this product (Waste Electrical & Electronic Equipment) Applicable in countries with separate collection systems
This graphic symbol placed on the product and on the package indicates that the product should not be disposed with other household waste. To prevent possible harm to the environment or human health from uncontrolled waste disposal, please separate these items from other types of waste and responsibly recycle them to promote the sustainable reuse of material resources. Household users should contact either the retailer where they purchased the product, or their local government office, for details on where and how they can take these items for environmentally safe recycling. Business users should contact their supplier and check the terms and conditions of the purchase contract; this product should not be mixed with other commercial wastes for disposal.