

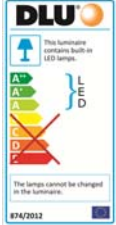



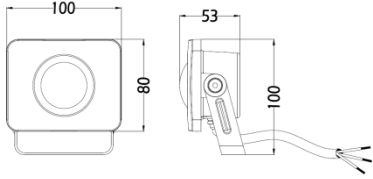
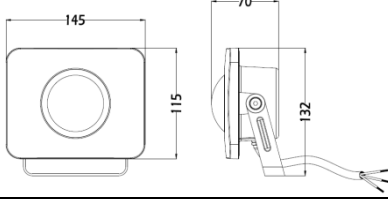
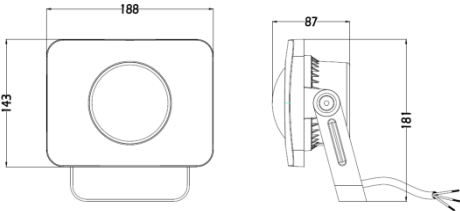
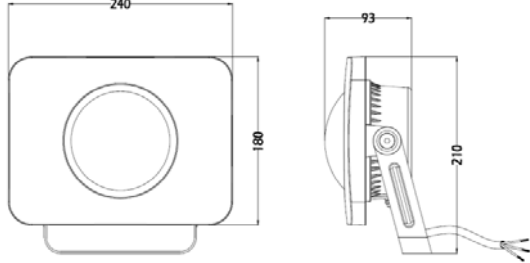




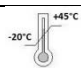
## LED FIXTURES FIXED IP65 RECTANGULAR PROJECTORS

		   
<b>10W</b>	<b>20W</b>	
		
<b>30W</b>	<b>50W</b>	
		

Fixed IP65 Projector for wall-mounting, integrating an array of high power LEDs geared by an internal LED driver. Body in dye-casted Aluminium with curved frontal screen in Polycarbonate. Finish: powder painting grey or opaque white. The optical vane can be 360° tilted, rotating a lateral knob; block by an allen key.

Available Accessories: Conversion Kit to projector for Eurostandard track; Base for wall-mounting.

ITEM CODE	V <sub>in</sub>	P <sub>nom</sub> (W)	PF	Luminous Flux (lm)	lm/W	T <sub>c</sub> (K)	R <sub>a</sub>	Axis cd	Beam Opening	Finish painting
FLL2C7V2G	220-240V 50/60Hz	10	> 0.5	900	90	4000	> 80	350	110°	Grey
FLL2C7V2W	220-240V 50/60Hz	10	> 0.5	900	90	4000	> 80	350	110°	White
FLL2M7V2G	220-240V 50/60Hz	20	> 0.5	2100	105	4000	> 80	750	110°	Grey
FLL2M7V2W	220-240V 50/60Hz	20	> 0.5	2100	105	4000	> 80	750	110°	White
FLL2P7V2G	220-240V 50/60Hz	30	> 0.9	3200	106.6	4000	> 80	1300	110°	Grey
FLL2P7V2W	220-240V 50/60Hz	30	> 0.9	3200	106.6	4000	> 80	1300	110°	White
FLL2S7V2G	220-240V 50/60Hz	50	> 0.9	5400	108	4000	> 80	2000	110°	Grey
FLL2S7V2W	220-240V 50/60Hz	50	> 0.9	5400	108	4000	> 80	2000	110°	White

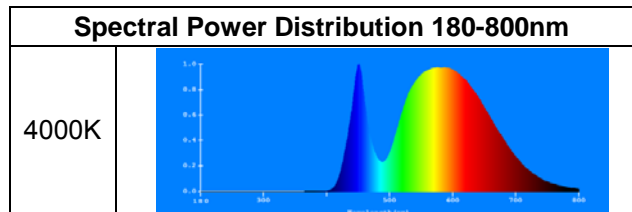
Operating electric conditions	220-240V 50/60Hz															
Insulating class																
Not Adjustable																
Useful Lifetime	40.000h L70 (Ta=25°C)															
Recommended ambient temperature																
Degree of protection against ingress of dust, solid objects and moisture	IP65															
Degree of protection against external mechanical impacts	IK06															
Weight	<table border="1"><thead><tr><th>Item code</th><th>P<sub>nom</sub> (W)</th><th>kg</th></tr></thead><tbody><tr><td>FLL2C7V2G; FLL2C7V2W</td><td>10</td><td>0.4</td></tr><tr><td>FLL2M7V2G; FLL2M7V2W</td><td>20</td><td>0.85</td></tr><tr><td>FLL2P7V2G; FLL2P7V2W</td><td>30</td><td>1.5</td></tr><tr><td>FLL2S7V2G; FLL2S7V2W</td><td>50</td><td>2.4</td></tr></tbody></table>	Item code	P <sub>nom</sub> (W)	kg	FLL2C7V2G; FLL2C7V2W	10	0.4	FLL2M7V2G; FLL2M7V2W	20	0.85	FLL2P7V2G; FLL2P7V2W	30	1.5	FLL2S7V2G; FLL2S7V2W	50	2.4
	Item code	P <sub>nom</sub> (W)	kg													
	FLL2C7V2G; FLL2C7V2W	10	0.4													
	FLL2M7V2G; FLL2M7V2W	20	0.85													
	FLL2P7V2G; FLL2P7V2W	30	1.5													
FLL2S7V2G; FLL2S7V2W	50	2.4														
Lamp Survival Factor @6000h	0.90															
Lamp Lumen Maintenance Factor @6000h	0.80															
Lamp Lumen Maintenance Factor @40.000h	70% (L70)															
Starting time	< 0.4s															
Number of Switching cycles before failure	> 15.000															
Warm-up time (to 95% of the steady-state luminous output)	< 2.0s															
Failure rate @1000h	< 5.0%															
Colour consistency	MacAdam ellipses step ≤ 6															
Mercury and dangerous substances	Absent															
UV and IR radiation	Absent															
<i>LED fixture classified RISK GROUP 1 in application of the EN 62471: 2008 (CIE S009:2002) standards "Photobiological safety of lamps and lamp systems" and in application of the European Directive 2006/25 on the minimum health and safety requirements regarding the exposure of workers to risks arising from physical agents (artificial optical radiation).</i>																

## ACCESSORIES

CODE	Description	Finish
ESADAPTER/W	Conversion kit to projector for Eurostandard track (3-lines adaptor included)	White
ESADAPTER/G	Conversion kit to projector for Eurostandard track (3-lines adaptor included)	Grey
WALLBASE/W	Base for wall-mounting of the projector with ESADAPTER/W	White
WALLBASE/G	Base for wall-mounting of the projector with ESADAPTER/G	Grey



	Photometric curve	LUMINANCE IN FRONT OF THE EMITTING SURFACE																		
<b>10W</b>	<p><b>P48</b></p>	<table border="1"> <tr><th>Height</th><th>Eavg</th><th>Diameter</th></tr> <tr><td>1m</td><td>79 lx</td><td>346 cm</td></tr> <tr><td>2m</td><td>19 lx</td><td>692 cm</td></tr> <tr><td>3m</td><td>8 lx</td><td>1039 cm</td></tr> <tr><td>4m</td><td>4 lx</td><td>1385 cm</td></tr> <tr><td>5m</td><td>3 lx</td><td>1732 cm</td></tr> </table>	Height	Eavg	Diameter	1m	79 lx	346 cm	2m	19 lx	692 cm	3m	8 lx	1039 cm	4m	4 lx	1385 cm	5m	3 lx	1732 cm
Height	Eavg	Diameter																		
1m	79 lx	346 cm																		
2m	19 lx	692 cm																		
3m	8 lx	1039 cm																		
4m	4 lx	1385 cm																		
5m	3 lx	1732 cm																		
<b>20W</b>	<p><b>P49</b></p>	<table border="1"> <tr><th>Height</th><th>Eavg</th><th>Diameter</th></tr> <tr><td>1m</td><td>184 lx</td><td>346 cm</td></tr> <tr><td>2m</td><td>46 lx</td><td>692 cm</td></tr> <tr><td>3m</td><td>20 lx</td><td>1039 cm</td></tr> <tr><td>4m</td><td>11 lx</td><td>1385 cm</td></tr> <tr><td>5m</td><td>7 lx</td><td>1732 cm</td></tr> </table>	Height	Eavg	Diameter	1m	184 lx	346 cm	2m	46 lx	692 cm	3m	20 lx	1039 cm	4m	11 lx	1385 cm	5m	7 lx	1732 cm
Height	Eavg	Diameter																		
1m	184 lx	346 cm																		
2m	46 lx	692 cm																		
3m	20 lx	1039 cm																		
4m	11 lx	1385 cm																		
5m	7 lx	1732 cm																		
<b>30W</b>	<p><b>P50</b></p>	<table border="1"> <tr><th>Height</th><th>Eavg</th><th>Diameter</th></tr> <tr><td>1m</td><td>290 lx</td><td>346 cm</td></tr> <tr><td>2m</td><td>72 lx</td><td>692 cm</td></tr> <tr><td>3m</td><td>32 lx</td><td>1039 cm</td></tr> <tr><td>4m</td><td>18 lx</td><td>1385 cm</td></tr> <tr><td>5m</td><td>11 lx</td><td>1732 cm</td></tr> </table>	Height	Eavg	Diameter	1m	290 lx	346 cm	2m	72 lx	692 cm	3m	32 lx	1039 cm	4m	18 lx	1385 cm	5m	11 lx	1732 cm
Height	Eavg	Diameter																		
1m	290 lx	346 cm																		
2m	72 lx	692 cm																		
3m	32 lx	1039 cm																		
4m	18 lx	1385 cm																		
5m	11 lx	1732 cm																		
<b>50W</b>	<p><b>P49</b></p>	<table border="1"> <tr><th>Height</th><th>Eavg</th><th>Diameter</th></tr> <tr><td>1m</td><td>471 lx</td><td>346 cm</td></tr> <tr><td>2m</td><td>117 lx</td><td>692 cm</td></tr> <tr><td>3m</td><td>52 lx</td><td>1039 cm</td></tr> <tr><td>4m</td><td>29 lx</td><td>1385 cm</td></tr> <tr><td>5m</td><td>18 lx</td><td>1732 cm</td></tr> </table>	Height	Eavg	Diameter	1m	471 lx	346 cm	2m	117 lx	692 cm	3m	52 lx	1039 cm	4m	29 lx	1385 cm	5m	18 lx	1732 cm
Height	Eavg	Diameter																		
1m	471 lx	346 cm																		
2m	117 lx	692 cm																		
3m	52 lx	1039 cm																		
4m	29 lx	1385 cm																		
5m	18 lx	1732 cm																		



Reference Standards: EN60598-1; EN60598-2-5; EN 62722-2-1; IEC62471; EN55015; EN61000-3-2; EN61000-3-3; EN61547; EN62493

EU Directives and Regulations: 2014/35; 2014/30; 92/31; 93/68; 2009/125 (Reg.no.1194/2012); 2012/27 (Reg.Del. no.874/2012 and Reg. no.1369/2017); 2011/65; 2012/19



**Correct disposal of this product**  
(Waste Electrical & Electronic Equipment)  
Applicable in countries with separate collection systems

This graphic symbol placed on the product and on the package indicates that the product should not be disposed with other household waste. To prevent possible harm to the environment or human health from uncontrolled waste disposal, please separate these items from other types of waste and responsibly recycle them to promote the sustainable reuse of material resources.  
Household users should contact either the retailer where they purchased the product, or their local government office, for details on where and how they can take these items for environmentally safe recycling.  
Business users should contact their supplier and check the terms and conditions of the purchase contract; this product should not be mixed with other commercial wastes for disposal.