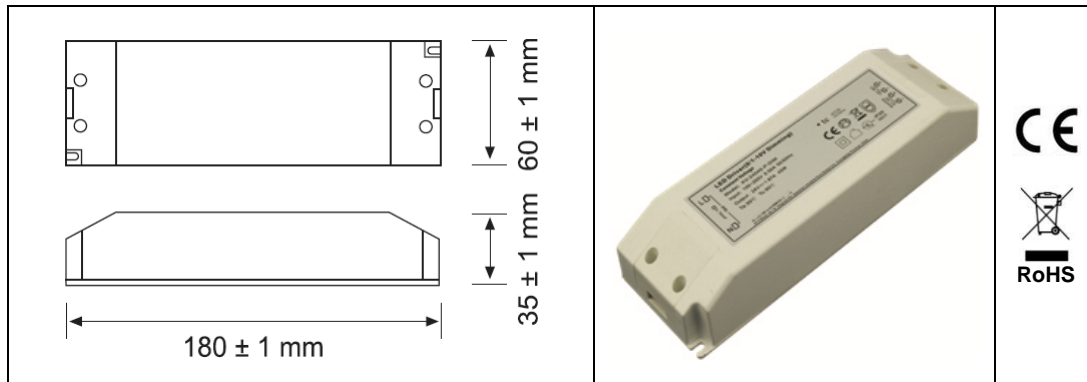






LED DRIVERS DIMMABLE DRIVERS FOR LED PANEL 42W



Dimmable constant current LED drivers for the LED Panel 42W, compatible with three different modes

Product Code	DL-KI-451050-TD	DL-KI-451050-P-DIM	DL-KI-451050-DA
Ordering Code	DRIVTRIAC	DRIV1-10V	DRIV-DALI
Dimming Mode	TRIAC (phase-cut) For both leading and trailing edge kinds	1...10VDC / Potentiometer / 10V PWM The output constant current can be adjusted by a 1...10VDC source, a potentiometer or a 10V PWM signal	DALI Integrated interface, dimming matching the DALI protocol EN62386
Quality Marks		---	---
Output	c.c. 1050mA ±3% SELV Voltage DC 25-45V Rated Power 47W	c.c. 1050mA ±3% SELV Voltage DC 28-45V Rated Power 45W	c.c. 1050mA ±3% SELV Voltage DC 27-45V Rated Power 47.25W
Input	180 ÷ 240V 50/60Hz PF ≥ 0.92 Current 0.25A	100 ÷ 240V 50/60Hz PF ≥ 0.92 Current 0.59A	100 ÷ 240V 50/60Hz PF ≥ 0.95 Current 0.26A
Max Temperature of the case (t _c)	90°C	90°C	60°C
t _a (avg lifetime 50.000h)	50°C	50°C	50°C

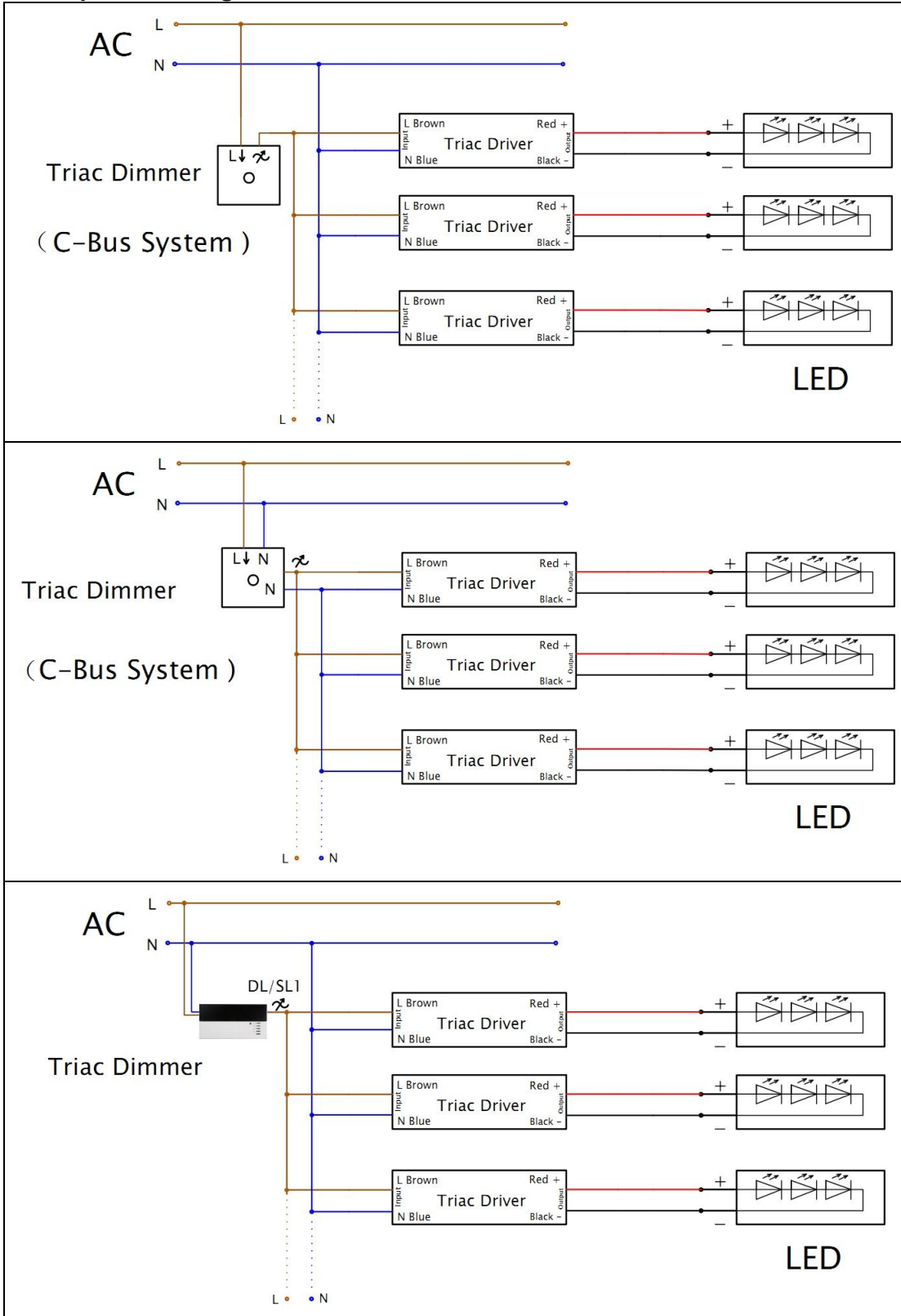
Independent control gear. Installation without any further insulation or case	
Safety control gear with short-circuit protection. Electronic switch-off with automatic restart	
Other electric protections	Overload ($\leq 120\%$) Overcurrent ($\leq 1.4 \cdot I_{out}$)
Protection Degree of the case	IP20
Class II double insulation: earth connection not required	
Ambient Temperature	-40 ÷ 60°C
Net Weight	0.55kg

Note: All the parameters, whether not differently specified, are measured at 220V 50Hz, max rated load and $T_{amb} = 25^{\circ}\text{C}$

European Standards: EN61347-1; EN61347-2-13; EN 62493; EN 62384; EN55015; EN61000-3-2; EN61000-3-3; EN61547
 European Directives: 2014/35; 2014/30; 92/31; 93/68; 2011/65; 2012/19

DL-KI-451050-TD (Compatible TRIAC)

Examples of wiring



DL-KI-451050-P-DIM (Compatible 1...10VDC / Potentiometer / 10V PWM)



Input: Live Wire (L), Neutral Wire (N)
 Signal Dimming 1...10VDC / resistance / 10V PWM: (DIM+), (DIM-)
 Output LED SEC: (LED+), (LED-)
 Note: NEVER connect (DIM-) to (LED-)

Values of the output current adjusted by the resistance (potentiometer)

Resistance value	Single Driver	0Ω	10kΩ	20kΩ	30kΩ	40kΩ	50kΩ	60kΩ	70kΩ	80kΩ	90kΩ	100kΩ	OPEN
	N-Drivers	0Ω/N	10kΩ/N	20kΩ/N	30kΩ/N	40kΩ/N	50kΩ/N	60kΩ/N	70kΩ/N	80kΩ/N	90kΩ/N	100kΩ/N	—
Rated current percentage		0%	10%	20%	30%	40%	50%	60%	70%	80%	90%	100%	102 ÷ 108%

Values of the output current adjusted by the 1...10V source

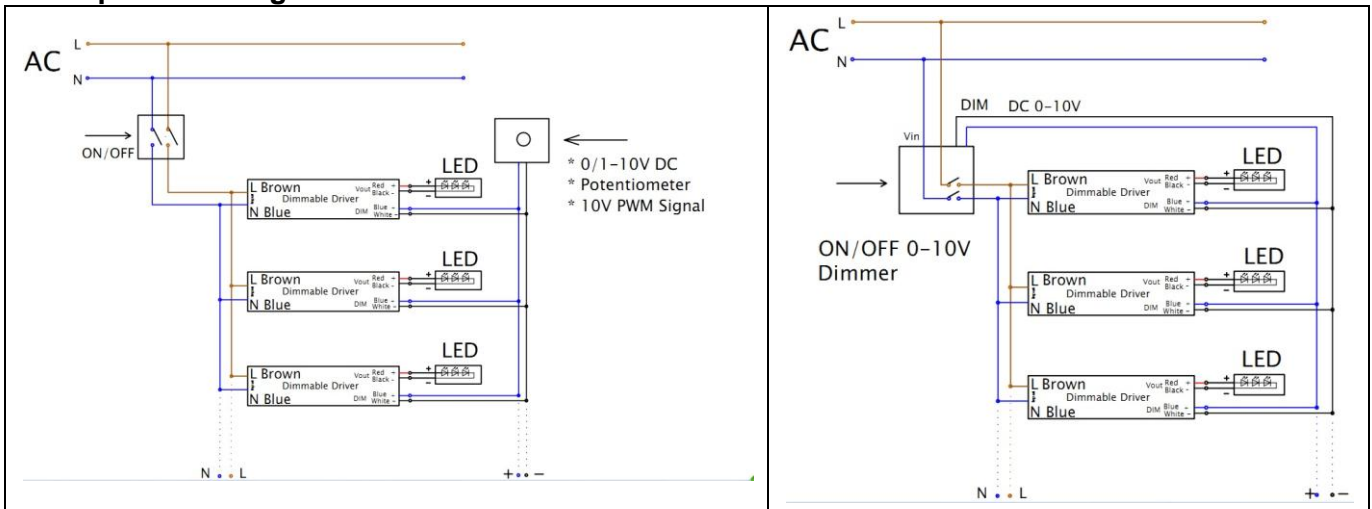
Value 1...10V	0V	1V	2V	3V	4V	5V	6V	7V	8V	9V	10V	OPEN
Rated current percentage	0%	10%	20%	30%	40%	50%	60%	70%	80%	90%	100%	102 ÷ 108%

1 ... 10 VDC source with double or reinforced insulation with respect to AC mains

Values of the output current adjusted by the 10V PWM signal (f = 100Hz ÷ 3kHz)

Duty cycle	0%	10%	20%	30%	40%	50%	60%	70%	80%	90%	100%	OPEN
Rated current percentage	0%	10%	20%	30%	40%	50%	60%	70%	80%	90%	100%	102 ÷ 108%

Examples of wiring



DL-KI-451050-DA (Compatible DALI)

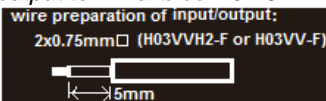


Input: Live Wire (L), Neutral Wire (N)

Output LED SEC: Positive (LED+), Negative (LED-). Connected to LED Lamps.

Signal Dimming: (DA1), (DA2) DALI Non polar! Connected to the BUS of the DALI Master.

Note: When installing the LED driver and making input and output connections, cross-section area of conductor for input and output terminal block: 0.75mm² (cord type: H03VVH2-F or H03VV-F).



Make sure you connect them correctly otherwise the product will not correctly function and it may be damaged.

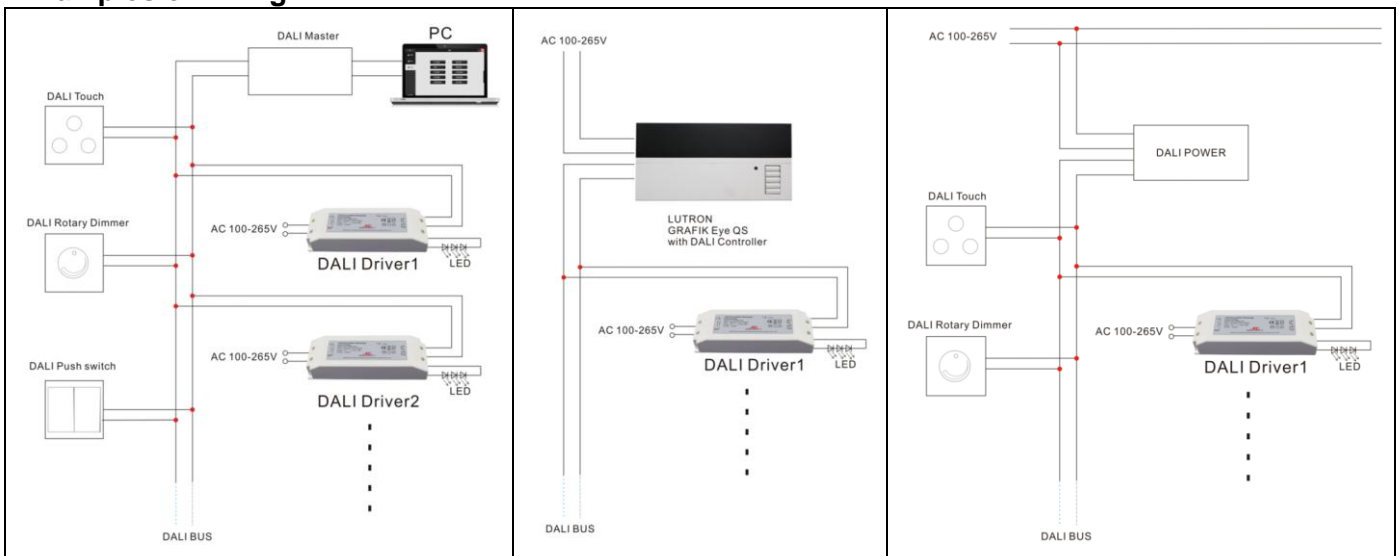
Dimming operation

- Connect the DALI signal line to the DALI bus of the controller (the DALI Master).
- After the DALI Master scanning and address assignment, the driver can be successfully dimmed.
- Please refer to the here below first Scheme

Note: It is recommended the use of DALI controllers with bus-powered functions. If not available, it is suggested to add an extra power supply (DALI Power).

Note: Any incorrect connection of signal line and output line may damage the master.

Examples of wiring



Correct disposal of this product

(Waste Electrical & Electronic Equipment)
 Applicable in countries with separate collection systems



This graphic symbol placed on the product and on the package indicates that the product should not be disposed with other household waste. To prevent possible harm to the environment or human health from uncontrolled waste disposal, please separate these items from other types of waste and responsibly recycle them to promote the sustainable reuse of material resources. Household users should contact either the retailer where they purchased the product, or their local government office, for details on where and how they can take these items for environmentally safe recycling. Business users should contact their supplier and check the terms and conditions of the purchase contract; this product should not be mixed with other commercial wastes for disposal.