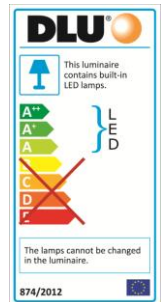


LED FIXTURES
PANEL 60x60cm
ECO BRIGHT


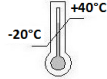




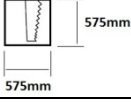
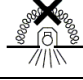
 	MOUNTING OPTIONS	
	False-ceiling frame	
	Suspension optional kit code <u>FLLKITSUSP</u>	
	Box for wall/ceiling optional kit code <u>FLLKITWALL</u> (thickness 50±5mm)	
	Ceiling optional kit code <u>FLLKITPLAF</u>	
Cut-out hole (575 x 575 mm) optional kit code <u>FLLKITHOLE</u>		



36W or 42W LED Panel, integrating an array of high power LEDs geared by an external constant current LED driver, with TUV Sud quality mark. Chassis in Aluminium, white painted finish for optimal heat-dissipation. Frontal diffuser 95% light transmittance rate. Mounting in false-ceiling frames 60x60cm. Other optional mounting for installation (by ordering the dedicated accessory kits):

- Suspension (kit code FLLKITSUSP): Brackets and suspending ropes in steel with clamps and fasteners, with adjustable buttons to fine-tune the horizontal positioning.
- Box for wall/ceiling (kit code FLLKITWALL): outer dimension after mounting = L 600 x W 600 x H 50mm
- Ceiling (kit code FLLKITPLAF): Brackets 35mm tall.
- Downlighter in cut-out square hole 575 x 575mm (kit code FLLKITHOLE): Springs for false-ceiling fixation.

Specifics of the whole system (LED Panel + LED power supply)

Operating electric conditions (set Panel + LED driver)	Vin = 220-240V 50/60Hz
For indoor use only	
Recommended ambient temperature	
Insulating class	 (the LED Panel taken alone is )
Not Adjustable	
Lamp not suitable for accent lighting	
False-ceiling square hole (use as recessed fixture)	
If used as recessed fixture, the luminaire shall not, under any circumstances, be covered with insulating matting or similar material	
Useful Lifetime	L70 F50 = 35.000 hours (T _a = 25°C) (*)
Protection degree (as recessed fixture)	IP43 Optical Vane IP20 Recessed Vane
Weight	3.2kg (LED driver included)
Lamp Survival Factor @6000h	0.90
Lamp Lumen Maintenance Factor @6000h	0.80
Lamp Lumen Maintenance Factor @35.000h	70% (L70)
Starting time	< 0.4s
Number of Switching cycles before failure	> 15.000
Warm-up time (to 95% of the steady-state luminous output)	< 2.0s
Failure rate @1000h	< 5.0%
Colour consistency	MacAdam ellipses step ≤ 6
Mercury and dangerous substances	Absent
UV and IR radiation	Absent

LED system classified EXEMPT (RISK GROUP 0) in application of the EN 62471: 2008 (CIE S009:2002) standards "Photobiological safety of lamps and lamp systems" and in application of the European Directive 2006/25 on the minimum health and safety requirements regarding the exposure of workers to risks arising from physical agents (artificial optical radiation).

() After 35.000 hours at the indicated T_a, the luminous flux is at least the 70% of the initial flux and the 50% of the fixtures are still functioning.*





Specifics of the set LED Panel + LED driver

ITEM CODE (order code)	V _{in}	P _{nom} (W)	PF	Lum. Flux (lm)	lm/W	T _c (K)	R _a	Axis cd	Beam Opening
FLLUW7VAE	220-240V 50/60Hz	36	≥ 0.90	3400	94.4	3000	> 80	1150	120°
FLLUW7V2E	220-240V 50/60Hz	36	≥ 0.90	3400	94.4	4000	> 80	1150	120°
FLLUV7VAE	220-240V 50/60Hz	42	≥ 0.90	3800	90.5	3000	> 80	1300	120°
FLLUV7V2E	220-240V 50/60Hz	42	≥ 0.90	3800	90.5	4000	> 80	1300	120°

Reference Standards: EN60598-1; EN62031; CEI EN 61347-1; CEI EN 61347-2-13; IEC draft 34A/1444/PAS (IEC/PAS 62717 Ed.1); IEC62471; IEC/TR 62471-2; EN55015; EN61000-3-2; EN61000-3-3; EN61547; EN62493


European Directives: 2014/35; 2014/30; 92/31; 93/68; 2009/125 (Reg.no.1194/2012; 1428/2015); 2010/30 (Reg.no.874/2012); 2012/27; 2011/65; 2012/19

Characteristics of the LED Driver














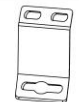




PRI	SEC	Operating Temperature	L x W x H (mm)	
220-240V 50/60Hz 0.21A max	32-45VDC 36W: 900mA ± 5% 42W: 1050mA ± 5%	T _a = -20 ÷ 50°C T _c = 75°C	140 x 45 x 27 (Weight = 140g)	<i>Constant current LED driver. The connection is done plugging the plug present on the output-wire of the driver into the plug installed onto the input-wire of the LED module, respecting the polarization.</i> 
	SELV			

Ref. Standards: EN 61347-1; EN 61347-2-13; EN 62384; EN 62493; EN 55015; EN61000-3-2; EN 61000-3-3; EN 61547

European Directives: 2014/35; 2014/30; 92/31; 93/68; 2011/65; 2012/19

Accessories 36W model 42W model (to be separately ordered)	For Dimmability by 1...10VDC signal	Substitute the DLU driver with the dimmable driver model "DLC 142/1050-E-C2-1...10V" (code 9918344, ref 9918344) by ELT
	For Permanent emergency autonomy 1h	Add the KIT (Emergency unit + battery) model "emerLED 12-50V 3W 1h" (ref 9953061) by ELT
	For Permanent emergency autonomy 3h	Add the KIT (Emergency unit + battery) model "emerLED 12-50V 3W 3h" (ref 9953062) by ELT
 website: http://www.elt.es/home/i-inicio.html		

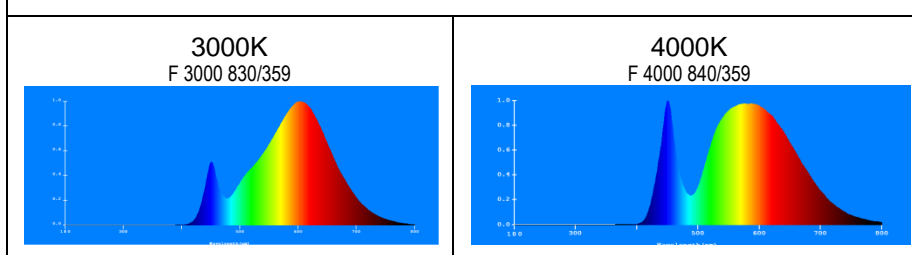
OPTIONAL ACCESSORY KITS

Item Code	Application	Content
FLLKITSUSP	Suspension mounting	 x 4  x 4  x 4  x 4  x 4  x 4  x 4  x 4
FLLKITWALL	Box for wall/ceiling mounting (thickness 50±5mm)	 x 2  x 2  x 8  x 4  x 4
FLLKITPLAF	Ceiling mounting	 x 4  x 4  x 4  x 8
FLLKITHOLE	Mounting in a 575x575mm cut-out hole	 x 4

PHOTOMETRICS

	Spatial distribution of luminous intensity	Luminance on parallel planes within the optical beam	UGR Table																																																																																																																																																																																																																																																													
36W			<table border="1" style="width: 100%; border-collapse: collapse; font-size: 8px;"> <thead> <tr> <th>ceiling/cavity</th> <th>0.7</th> <th>0.7</th> <th>0.5</th> <th>0.3</th> <th>0.3</th> <th>0.7</th> <th>0.7</th> <th>0.5</th> <th>0.3</th> <th>0.3</th> </tr> <tr> <th>walls</th> <td>0.5</td> <td>0.3</td> <td>0.5</td> <td>0.3</td> <td>0.3</td> <td>0.5</td> <td>0.3</td> <td>0.5</td> <td>0.3</td> <td>0.3</td> </tr> <tr> <th>working plane</th> <td>0.2</td> <td>0.2</td> <td>0.2</td> <td>0.2</td> <td>0.2</td> <td>0.2</td> <td>0.2</td> <td>0.2</td> <td>0.2</td> <td>0.2</td> </tr> </thead> <tbody> <tr> <td>Room dimensions</td> <td colspan="5">Viewed clockwise</td> <td colspan="5">Viewed anticlockwise</td> </tr> <tr> <td>a = 20 m</td> <td>30</td> <td>31.4</td> <td>32.9</td> <td>34.7</td> <td>36.1</td> <td>33.4</td> <td>35.9</td> <td>38.5</td> <td>41.2</td> <td>43.8</td> </tr> <tr> <td>b = 20 m</td> <td>30</td> <td>33.1</td> <td>34.5</td> <td>36.4</td> <td>38.0</td> <td>35.0</td> <td>37.4</td> <td>40.0</td> <td>42.7</td> <td>45.4</td> </tr> <tr> <td>40</td> <td>33.9</td> <td>35.2</td> <td>36.2</td> <td>38.5</td> <td>39.7</td> <td>37.0</td> <td>39.3</td> <td>41.9</td> <td>44.6</td> <td>47.3</td> </tr> <tr> <td>60</td> <td>34.4</td> <td>35.7</td> <td>36.8</td> <td>38.5</td> <td>40.2</td> <td>37.4</td> <td>39.6</td> <td>42.3</td> <td>45.0</td> <td>47.7</td> </tr> <tr> <td>80</td> <td>34.7</td> <td>35.9</td> <td>36.0</td> <td>38.2</td> <td>38.5</td> <td>38.5</td> <td>39.7</td> <td>41.7</td> <td>43.8</td> <td>45.9</td> </tr> <tr> <td>120</td> <td>34.9</td> <td>36.0</td> <td>36.2</td> <td>38.3</td> <td>38.7</td> <td>38.5</td> <td>39.7</td> <td>41.7</td> <td>43.8</td> <td>45.9</td> </tr> <tr> <td>4x</td> <td>20</td> <td>32.0</td> <td>33.3</td> <td>32.3</td> <td>33.6</td> <td>33.9</td> <td>31.7</td> <td>33.0</td> <td>32.9</td> <td>33.4</td> </tr> <tr> <td>30</td> <td>33.9</td> <td>35.1</td> <td>34.3</td> <td>35.4</td> <td>35.7</td> <td>33.3</td> <td>34.5</td> <td>33.7</td> <td>34.8</td> <td>35.2</td> </tr> <tr> <td>40</td> <td>34.8</td> <td>35.9</td> <td>35.2</td> <td>36.2</td> <td>36.4</td> <td>34.0</td> <td>35.1</td> <td>34.4</td> <td>35.5</td> <td>35.8</td> </tr> <tr> <td>60</td> <td>35.9</td> <td>36.9</td> <td>35.9</td> <td>36.9</td> <td>37.2</td> <td>34.9</td> <td>35.9</td> <td>35.9</td> <td>36.9</td> <td>37.2</td> </tr> <tr> <td>80</td> <td>35.8</td> <td>36.7</td> <td>36.2</td> <td>37.1</td> <td>37.5</td> <td>34.7</td> <td>35.6</td> <td>35.1</td> <td>36.0</td> <td>36.4</td> </tr> <tr> <td>120</td> <td>36.1</td> <td>36.9</td> <td>36.5</td> <td>37.3</td> <td>37.7</td> <td>34.7</td> <td>35.6</td> <td>35.2</td> <td>36.0</td> <td>36.4</td> </tr> <tr> <td>8x</td> <td>40</td> <td>35.1</td> <td>36.0</td> <td>35.5</td> <td>36.3</td> <td>36.7</td> <td>34.4</td> <td>35.3</td> <td>34.8</td> <td>35.7</td> </tr> <tr> <td>60</td> <td>36.0</td> <td>36.7</td> <td>36.4</td> <td>37.1</td> <td>37.6</td> <td>35.2</td> <td>35.8</td> <td>35.5</td> <td>36.2</td> <td>36.7</td> </tr> <tr> <td>80</td> <td>36.4</td> <td>37.0</td> <td>36.8</td> <td>37.5</td> <td>37.9</td> <td>35.3</td> <td>36.0</td> <td>35.8</td> <td>36.4</td> <td>36.9</td> </tr> <tr> <td>120</td> <td>36.7</td> <td>37.3</td> <td>37.2</td> <td>37.9</td> <td>38.3</td> <td>35.4</td> <td>36.0</td> <td>35.9</td> <td>36.5</td> <td>37.0</td> </tr> <tr> <td>12x</td> <td>40</td> <td>35.1</td> <td>35.9</td> <td>35.5</td> <td>36.3</td> <td>36.7</td> <td>34.4</td> <td>35.3</td> <td>34.9</td> <td>35.7</td> </tr> <tr> <td>60</td> <td>36.0</td> <td>36.7</td> <td>36.5</td> <td>37.1</td> <td>37.6</td> <td>35.2</td> <td>35.8</td> <td>35.6</td> <td>36.3</td> <td>36.7</td> </tr> <tr> <td>80</td> <td>36.5</td> <td>37.0</td> <td>37.0</td> <td>37.5</td> <td>38.0</td> <td>35.4</td> <td>36.0</td> <td>35.9</td> <td>36.5</td> <td>37.0</td> </tr> </tbody> </table>	ceiling/cavity	0.7	0.7	0.5	0.3	0.3	0.7	0.7	0.5	0.3	0.3	walls	0.5	0.3	0.5	0.3	0.3	0.5	0.3	0.5	0.3	0.3	working plane	0.2	0.2	0.2	0.2	0.2	0.2	0.2	0.2	0.2	0.2	Room dimensions	Viewed clockwise					Viewed anticlockwise					a = 20 m	30	31.4	32.9	34.7	36.1	33.4	35.9	38.5	41.2	43.8	b = 20 m	30	33.1	34.5	36.4	38.0	35.0	37.4	40.0	42.7	45.4	40	33.9	35.2	36.2	38.5	39.7	37.0	39.3	41.9	44.6	47.3	60	34.4	35.7	36.8	38.5	40.2	37.4	39.6	42.3	45.0	47.7	80	34.7	35.9	36.0	38.2	38.5	38.5	39.7	41.7	43.8	45.9	120	34.9	36.0	36.2	38.3	38.7	38.5	39.7	41.7	43.8	45.9	4x	20	32.0	33.3	32.3	33.6	33.9	31.7	33.0	32.9	33.4	30	33.9	35.1	34.3	35.4	35.7	33.3	34.5	33.7	34.8	35.2	40	34.8	35.9	35.2	36.2	36.4	34.0	35.1	34.4	35.5	35.8	60	35.9	36.9	35.9	36.9	37.2	34.9	35.9	35.9	36.9	37.2	80	35.8	36.7	36.2	37.1	37.5	34.7	35.6	35.1	36.0	36.4	120	36.1	36.9	36.5	37.3	37.7	34.7	35.6	35.2	36.0	36.4	8x	40	35.1	36.0	35.5	36.3	36.7	34.4	35.3	34.8	35.7	60	36.0	36.7	36.4	37.1	37.6	35.2	35.8	35.5	36.2	36.7	80	36.4	37.0	36.8	37.5	37.9	35.3	36.0	35.8	36.4	36.9	120	36.7	37.3	37.2	37.9	38.3	35.4	36.0	35.9	36.5	37.0	12x	40	35.1	35.9	35.5	36.3	36.7	34.4	35.3	34.9	35.7	60	36.0	36.7	36.5	37.1	37.6	35.2	35.8	35.6	36.3	36.7	80	36.5	37.0	37.0	37.5	38.0	35.4	36.0	35.9	36.5	37.0
ceiling/cavity	0.7	0.7	0.5	0.3	0.3	0.7	0.7	0.5	0.3	0.3																																																																																																																																																																																																																																																						
walls	0.5	0.3	0.5	0.3	0.3	0.5	0.3	0.5	0.3	0.3																																																																																																																																																																																																																																																						
working plane	0.2	0.2	0.2	0.2	0.2	0.2	0.2	0.2	0.2	0.2																																																																																																																																																																																																																																																						
Room dimensions	Viewed clockwise					Viewed anticlockwise																																																																																																																																																																																																																																																										
a = 20 m	30	31.4	32.9	34.7	36.1	33.4	35.9	38.5	41.2	43.8																																																																																																																																																																																																																																																						
b = 20 m	30	33.1	34.5	36.4	38.0	35.0	37.4	40.0	42.7	45.4																																																																																																																																																																																																																																																						
40	33.9	35.2	36.2	38.5	39.7	37.0	39.3	41.9	44.6	47.3																																																																																																																																																																																																																																																						
60	34.4	35.7	36.8	38.5	40.2	37.4	39.6	42.3	45.0	47.7																																																																																																																																																																																																																																																						
80	34.7	35.9	36.0	38.2	38.5	38.5	39.7	41.7	43.8	45.9																																																																																																																																																																																																																																																						
120	34.9	36.0	36.2	38.3	38.7	38.5	39.7	41.7	43.8	45.9																																																																																																																																																																																																																																																						
4x	20	32.0	33.3	32.3	33.6	33.9	31.7	33.0	32.9	33.4																																																																																																																																																																																																																																																						
30	33.9	35.1	34.3	35.4	35.7	33.3	34.5	33.7	34.8	35.2																																																																																																																																																																																																																																																						
40	34.8	35.9	35.2	36.2	36.4	34.0	35.1	34.4	35.5	35.8																																																																																																																																																																																																																																																						
60	35.9	36.9	35.9	36.9	37.2	34.9	35.9	35.9	36.9	37.2																																																																																																																																																																																																																																																						
80	35.8	36.7	36.2	37.1	37.5	34.7	35.6	35.1	36.0	36.4																																																																																																																																																																																																																																																						
120	36.1	36.9	36.5	37.3	37.7	34.7	35.6	35.2	36.0	36.4																																																																																																																																																																																																																																																						
8x	40	35.1	36.0	35.5	36.3	36.7	34.4	35.3	34.8	35.7																																																																																																																																																																																																																																																						
60	36.0	36.7	36.4	37.1	37.6	35.2	35.8	35.5	36.2	36.7																																																																																																																																																																																																																																																						
80	36.4	37.0	36.8	37.5	37.9	35.3	36.0	35.8	36.4	36.9																																																																																																																																																																																																																																																						
120	36.7	37.3	37.2	37.9	38.3	35.4	36.0	35.9	36.5	37.0																																																																																																																																																																																																																																																						
12x	40	35.1	35.9	35.5	36.3	36.7	34.4	35.3	34.9	35.7																																																																																																																																																																																																																																																						
60	36.0	36.7	36.5	37.1	37.6	35.2	35.8	35.6	36.3	36.7																																																																																																																																																																																																																																																						
80	36.5	37.0	37.0	37.5	38.0	35.4	36.0	35.9	36.5	37.0																																																																																																																																																																																																																																																						
42W			<table border="1" style="width: 100%; border-collapse: collapse; font-size: 8px;"> <thead> <tr> <th>ceiling/cavity</th> <th>0.7</th> <th>0.7</th> <th>0.5</th> <th>0.3</th> <th>0.3</th> <th>0.7</th> <th>0.7</th> <th>0.5</th> <th>0.3</th> <th>0.3</th> </tr> <tr> <th>walls</th> <td>0.5</td> <td>0.3</td> <td>0.5</td> <td>0.3</td> <td>0.3</td> <td>0.5</td> <td>0.3</td> <td>0.5</td> <td>0.3</td> <td>0.3</td> </tr> <tr> <th>working plane</th> <td>0.2</td> <td>0.2</td> <td>0.2</td> <td>0.2</td> <td>0.2</td> <td>0.2</td> <td>0.2</td> <td>0.2</td> <td>0.2</td> <td>0.2</td> </tr> </thead> <tbody> <tr> <td>Room dimensions</td> <td colspan="5">Viewed clockwise</td> <td colspan="5">Viewed anticlockwise</td> </tr> <tr> <td>a = 20 m</td> <td>20</td> <td>17.3</td> <td>18.8</td> <td>17.6</td> <td>19.0</td> <td>19.3</td> <td>17.0</td> <td>18.5</td> <td>17.3</td> <td>18.8</td> </tr> <tr> <td>30</td> <td>18.7</td> <td>20.1</td> <td>19.1</td> <td>20.4</td> <td>20.7</td> <td>18.3</td> <td>19.7</td> <td>18.7</td> <td>20.0</td> <td>20.3</td> </tr> <tr> <td>40</td> <td>18.3</td> <td>20.4</td> <td>18.7</td> <td>20.9</td> <td>21.2</td> <td>18.8</td> <td>20.1</td> <td>19.2</td> <td>20.4</td> <td>20.7</td> </tr> <tr> <td>60</td> <td>18.7</td> <td>20.9</td> <td>20.0</td> <td>21.2</td> <td>21.6</td> <td>19.1</td> <td>20.3</td> <td>19.4</td> <td>20.4</td> <td>21.0</td> </tr> <tr> <td>80</td> <td>18.9</td> <td>20.9</td> <td>20.1</td> <td>21.3</td> <td>21.6</td> <td>19.1</td> <td>20.3</td> <td>19.5</td> <td>20.4</td> <td>21.0</td> </tr> <tr> <td>120</td> <td>18.8</td> <td>20.9</td> <td>20.2</td> <td>21.3</td> <td>21.7</td> <td>19.1</td> <td>20.2</td> <td>19.5</td> <td>20.4</td> <td>21.0</td> </tr> <tr> <td>4x</td> <td>20</td> <td>17.8</td> <td>19.1</td> <td>18.2</td> <td>19.4</td> <td>19.8</td> <td>17.4</td> <td>18.9</td> <td>18.0</td> <td>19.2</td> </tr> <tr> <td>30</td> <td>19.4</td> <td>20.6</td> <td>19.8</td> <td>20.9</td> <td>21.3</td> <td>19.1</td> <td>20.2</td> <td>19.3</td> <td>20.4</td> <td>20.9</td> </tr> <tr> <td>40</td> <td>20.1</td> <td>21.1</td> <td>20.3</td> <td>21.3</td> <td>21.9</td> <td>19.6</td> <td>20.7</td> <td>20.1</td> <td>21.1</td> <td>21.8</td> </tr> <tr> <td>60</td> <td>20.6</td> <td>21.8</td> <td>21.0</td> <td>21.9</td> <td>22.3</td> <td>20.0</td> <td>20.9</td> <td>20.4</td> <td>21.3</td> <td>21.8</td> </tr> <tr> <td>80</td> <td>20.7</td> <td>21.6</td> <td>21.2</td> <td>22.0</td> <td>22.4</td> <td>20.1</td> <td>20.9</td> <td>20.4</td> <td>21.4</td> <td>21.9</td> </tr> <tr> <td>120</td> <td>20.8</td> <td>21.6</td> <td>21.3</td> <td>22.0</td> <td>22.5</td> <td>20.1</td> <td>20.9</td> <td>20.4</td> <td>21.3</td> <td>21.8</td> </tr> <tr> <td>8x</td> <td>40</td> <td>20.3</td> <td>21.1</td> <td>20.7</td> <td>21.5</td> <td>22.0</td> <td>19.9</td> <td>20.7</td> <td>20.3</td> <td>21.1</td> </tr> <tr> <td>60</td> <td>20.9</td> <td>21.8</td> <td>21.3</td> <td>22.0</td> <td>22.5</td> <td>20.3</td> <td>21.0</td> <td>20.8</td> <td>21.5</td> <td>22.0</td> </tr> <tr> <td>80</td> <td>21.1</td> <td>21.7</td> <td>21.6</td> <td>22.2</td> <td>22.7</td> <td>20.5</td> <td>21.1</td> <td>21.0</td> <td>21.6</td> <td>22.1</td> </tr> <tr> <td>120</td> <td>21.2</td> <td>21.7</td> <td>21.7</td> <td>22.2</td> <td>22.8</td> <td>20.5</td> <td>21.0</td> <td>21.0</td> <td>21.6</td> <td>22.1</td> </tr> <tr> <td>12x</td> <td>40</td> <td>20.2</td> <td>21.0</td> <td>20.7</td> <td>21.5</td> <td>22.0</td> <td>19.9</td> <td>20.4</td> <td>20.3</td> <td>21.1</td> </tr> <tr> <td>60</td> <td>20.9</td> <td>21.8</td> <td>21.4</td> <td>22.0</td> <td>22.5</td> <td>20.4</td> <td>21.0</td> <td>20.9</td> <td>21.5</td> <td>22.0</td> </tr> <tr> <td>80</td> <td>21.1</td> <td>21.6</td> <td>21.6</td> <td>22.1</td> <td>22.7</td> <td>20.5</td> <td>21.1</td> <td>21.0</td> <td>21.6</td> <td>22.1</td> </tr> </tbody> </table>	ceiling/cavity	0.7	0.7	0.5	0.3	0.3	0.7	0.7	0.5	0.3	0.3	walls	0.5	0.3	0.5	0.3	0.3	0.5	0.3	0.5	0.3	0.3	working plane	0.2	0.2	0.2	0.2	0.2	0.2	0.2	0.2	0.2	0.2	Room dimensions	Viewed clockwise					Viewed anticlockwise					a = 20 m	20	17.3	18.8	17.6	19.0	19.3	17.0	18.5	17.3	18.8	30	18.7	20.1	19.1	20.4	20.7	18.3	19.7	18.7	20.0	20.3	40	18.3	20.4	18.7	20.9	21.2	18.8	20.1	19.2	20.4	20.7	60	18.7	20.9	20.0	21.2	21.6	19.1	20.3	19.4	20.4	21.0	80	18.9	20.9	20.1	21.3	21.6	19.1	20.3	19.5	20.4	21.0	120	18.8	20.9	20.2	21.3	21.7	19.1	20.2	19.5	20.4	21.0	4x	20	17.8	19.1	18.2	19.4	19.8	17.4	18.9	18.0	19.2	30	19.4	20.6	19.8	20.9	21.3	19.1	20.2	19.3	20.4	20.9	40	20.1	21.1	20.3	21.3	21.9	19.6	20.7	20.1	21.1	21.8	60	20.6	21.8	21.0	21.9	22.3	20.0	20.9	20.4	21.3	21.8	80	20.7	21.6	21.2	22.0	22.4	20.1	20.9	20.4	21.4	21.9	120	20.8	21.6	21.3	22.0	22.5	20.1	20.9	20.4	21.3	21.8	8x	40	20.3	21.1	20.7	21.5	22.0	19.9	20.7	20.3	21.1	60	20.9	21.8	21.3	22.0	22.5	20.3	21.0	20.8	21.5	22.0	80	21.1	21.7	21.6	22.2	22.7	20.5	21.1	21.0	21.6	22.1	120	21.2	21.7	21.7	22.2	22.8	20.5	21.0	21.0	21.6	22.1	12x	40	20.2	21.0	20.7	21.5	22.0	19.9	20.4	20.3	21.1	60	20.9	21.8	21.4	22.0	22.5	20.4	21.0	20.9	21.5	22.0	80	21.1	21.6	21.6	22.1	22.7	20.5	21.1	21.0	21.6	22.1
ceiling/cavity	0.7	0.7	0.5	0.3	0.3	0.7	0.7	0.5	0.3	0.3																																																																																																																																																																																																																																																						
walls	0.5	0.3	0.5	0.3	0.3	0.5	0.3	0.5	0.3	0.3																																																																																																																																																																																																																																																						
working plane	0.2	0.2	0.2	0.2	0.2	0.2	0.2	0.2	0.2	0.2																																																																																																																																																																																																																																																						
Room dimensions	Viewed clockwise					Viewed anticlockwise																																																																																																																																																																																																																																																										
a = 20 m	20	17.3	18.8	17.6	19.0	19.3	17.0	18.5	17.3	18.8																																																																																																																																																																																																																																																						
30	18.7	20.1	19.1	20.4	20.7	18.3	19.7	18.7	20.0	20.3																																																																																																																																																																																																																																																						
40	18.3	20.4	18.7	20.9	21.2	18.8	20.1	19.2	20.4	20.7																																																																																																																																																																																																																																																						
60	18.7	20.9	20.0	21.2	21.6	19.1	20.3	19.4	20.4	21.0																																																																																																																																																																																																																																																						
80	18.9	20.9	20.1	21.3	21.6	19.1	20.3	19.5	20.4	21.0																																																																																																																																																																																																																																																						
120	18.8	20.9	20.2	21.3	21.7	19.1	20.2	19.5	20.4	21.0																																																																																																																																																																																																																																																						
4x	20	17.8	19.1	18.2	19.4	19.8	17.4	18.9	18.0	19.2																																																																																																																																																																																																																																																						
30	19.4	20.6	19.8	20.9	21.3	19.1	20.2	19.3	20.4	20.9																																																																																																																																																																																																																																																						
40	20.1	21.1	20.3	21.3	21.9	19.6	20.7	20.1	21.1	21.8																																																																																																																																																																																																																																																						
60	20.6	21.8	21.0	21.9	22.3	20.0	20.9	20.4	21.3	21.8																																																																																																																																																																																																																																																						
80	20.7	21.6	21.2	22.0	22.4	20.1	20.9	20.4	21.4	21.9																																																																																																																																																																																																																																																						
120	20.8	21.6	21.3	22.0	22.5	20.1	20.9	20.4	21.3	21.8																																																																																																																																																																																																																																																						
8x	40	20.3	21.1	20.7	21.5	22.0	19.9	20.7	20.3	21.1																																																																																																																																																																																																																																																						
60	20.9	21.8	21.3	22.0	22.5	20.3	21.0	20.8	21.5	22.0																																																																																																																																																																																																																																																						
80	21.1	21.7	21.6	22.2	22.7	20.5	21.1	21.0	21.6	22.1																																																																																																																																																																																																																																																						
120	21.2	21.7	21.7	22.2	22.8	20.5	21.0	21.0	21.6	22.1																																																																																																																																																																																																																																																						
12x	40	20.2	21.0	20.7	21.5	22.0	19.9	20.4	20.3	21.1																																																																																																																																																																																																																																																						
60	20.9	21.8	21.4	22.0	22.5	20.4	21.0	20.9	21.5	22.0																																																																																																																																																																																																																																																						
80	21.1	21.6	21.6	22.1	22.7	20.5	21.1	21.0	21.6	22.1																																																																																																																																																																																																																																																						

Spectral Power Distribution 180-800nm



Correct disposal of this product
(Waste Electrical & Electronic Equipment)
Applicable in countries with separate collection systems



This graphic symbol placed on the product and on the package indicates that the product should not be disposed with other household waste. To prevent possible harm to the environment or human health from uncontrolled waste disposal, please separate these items from other types of waste and responsibly recycle them to promote the sustainable reuse of material resources. Household users should contact either the retailer where they purchased the product, or their local government office, for details on where and how they can take these items for environmentally safe recycling. Business users should contact their supplier and check the terms and conditions of the purchase contract; this product should not be mixed with other commercial wastes for disposal.